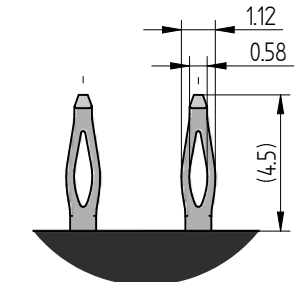
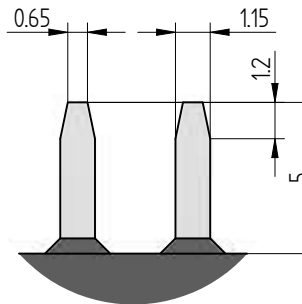


Press-fit pin
thc=0.62
4:1

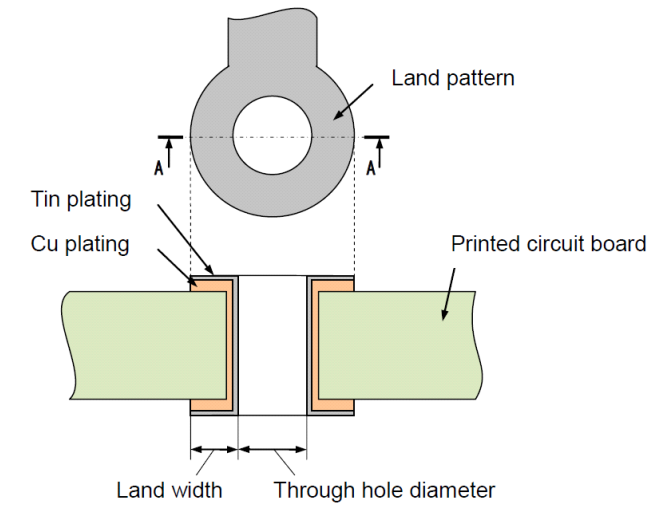


Solder pin
thc=0.8
4:1

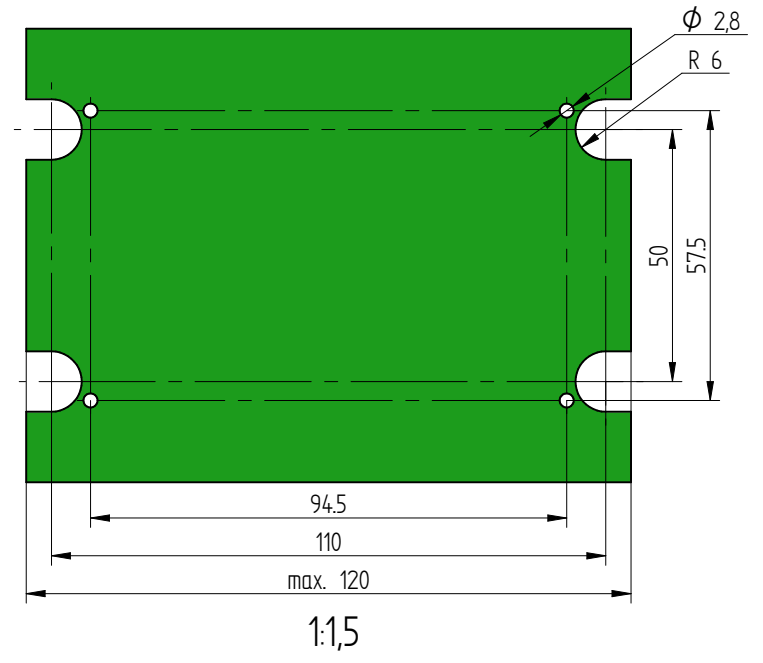


Specifications for Printed Circuit Boards

1. PCB thickness must not be less than 1.6 mm
2. PCB material should comply with IEC 61249-2-7
3. Both sides of the PCB should be covered with solder mask
4. Plated through-hole specifications for Press-fit pins:
 - Plated hole final diameter: $\text{Ø}1 \text{ mm} +0.09 \text{ mm} / 0.06 \text{ mm}$
 - Thickness of the Cu PTH wall $> 25 \mu\text{m Cu}$
 - Minimum Cu land width $> 0.2 \text{ mm}$
 - Through hole position accuracy: $\pm 0.1 \text{ mm}$
 - Chemical Tin (Sn) plating: $0.5 \mu\text{m}$ to $10 \mu\text{m}$
 - HAL Tin (Sn) plating: $0.5 \mu\text{m}$ to $50 \mu\text{m}$
 - Chemical Gold (Au), Silver (Ag) and Organic Solderability Preservative (OSP) are not generally released
 - Minimum distance between the centre of the pin hole and the edge of the PCB or components on the PCB: 4 mm
 - For additional requirements the IEC 60352-5 standard should be considered



5. Hole and cutout sizes on the driver PCB



- A. Tolerance of pin positions $\pm 0.2 \text{ mm}$ at the end of pins
- B. Refer to the module datasheet for pinout and 3D-CAD model
- C. Mounting parameters see in the actual Handling Instructions

01.1	18.10.2016	Screw hole dimensions	Géczy M.	Gyimóthy Zs.	Package Drawing	View scale 1:1	
01	14.06.2016	Initial Release	Géczy M.	Buza M.			
Rev.	Date	Alteration	Designed	Approved			
General tolerances ISO 2768 - m , K			Ps A3		 VINcoE3-21M-*-PD	Page 1/1	
Linear dimensions	$x < 0.5$	$0.5 \leq x < 6$	$6 \leq x < 30$	$30 \leq x < 120$			$120 < x$
Chamfers, radii	$x < 0.3$	$0.3 \leq x < 0.5$	$0.5 \leq x < 3$	$3 \leq x < 6$			$6 < x$
References	Inspectional dim:	Revision number (Rev.): *	IP Development	Drawing alteration in revision: {}			