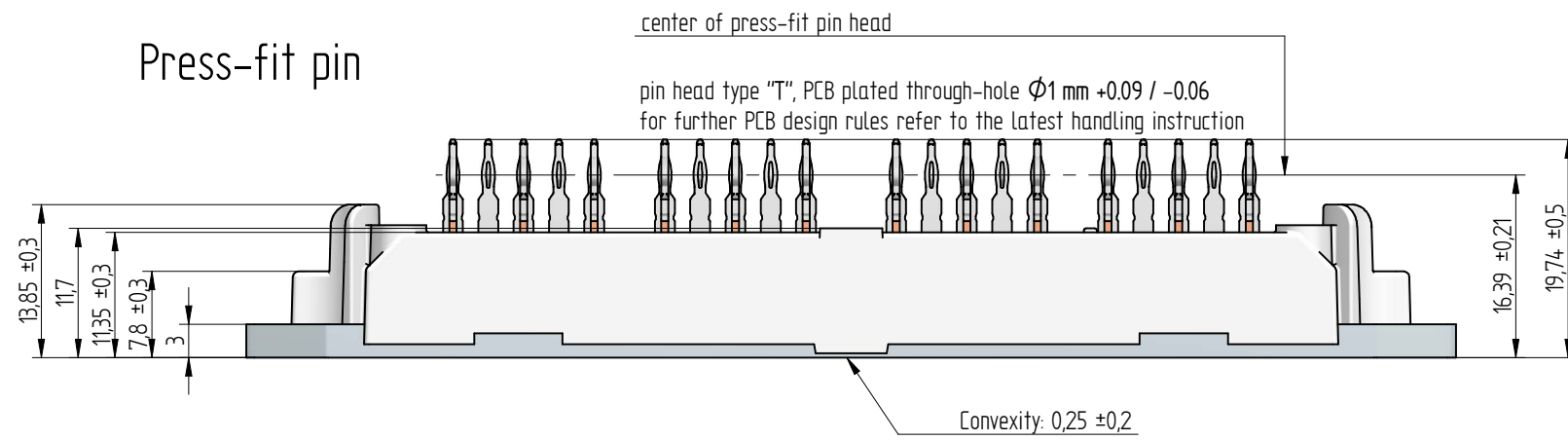
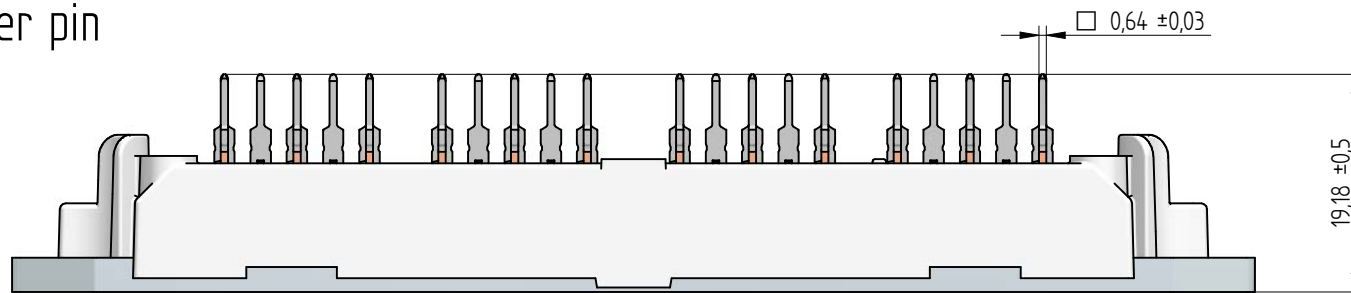


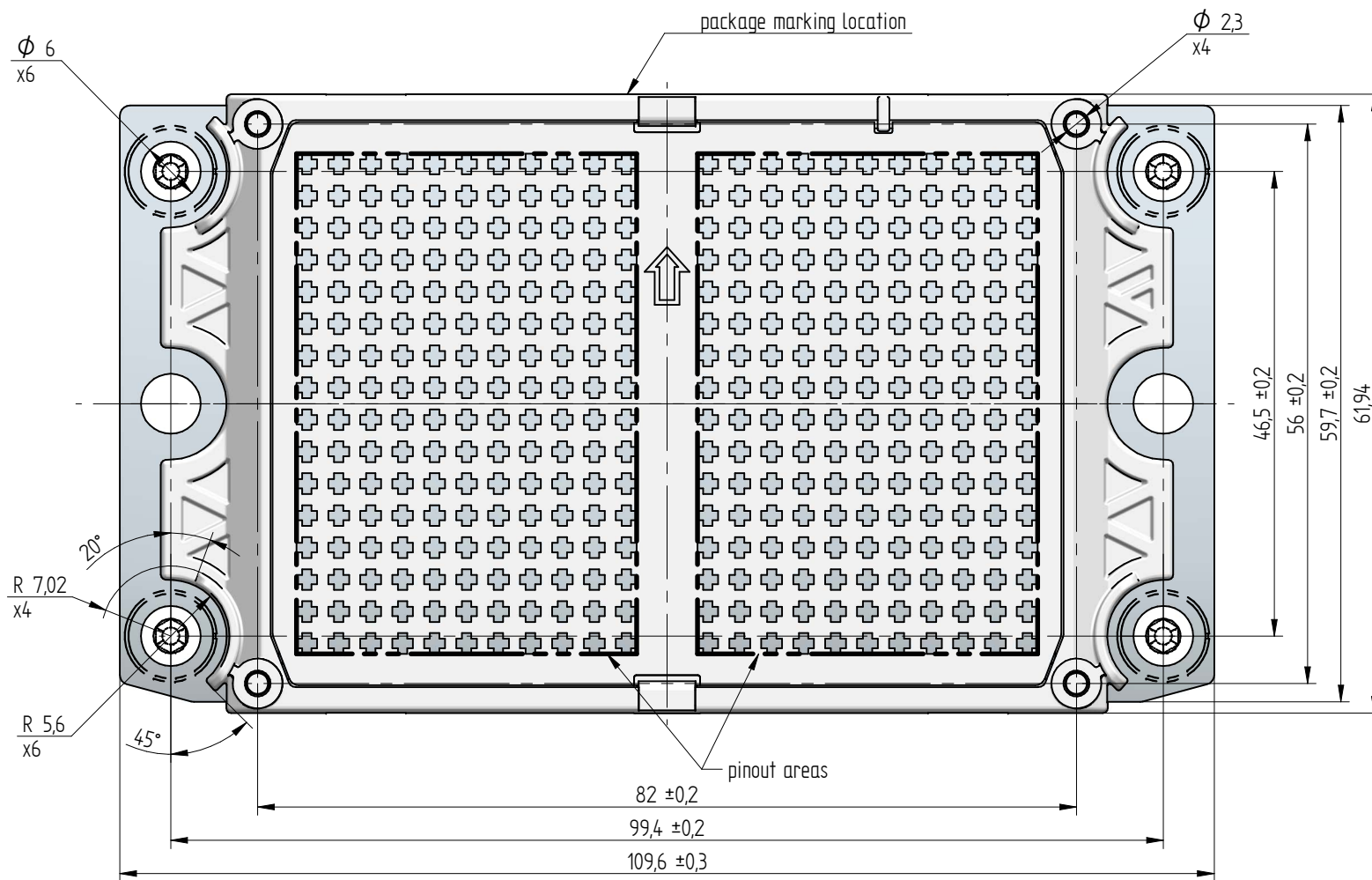
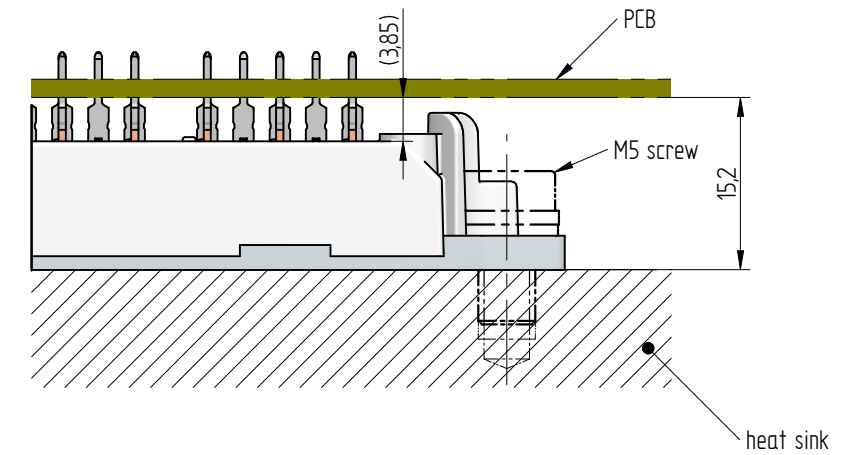
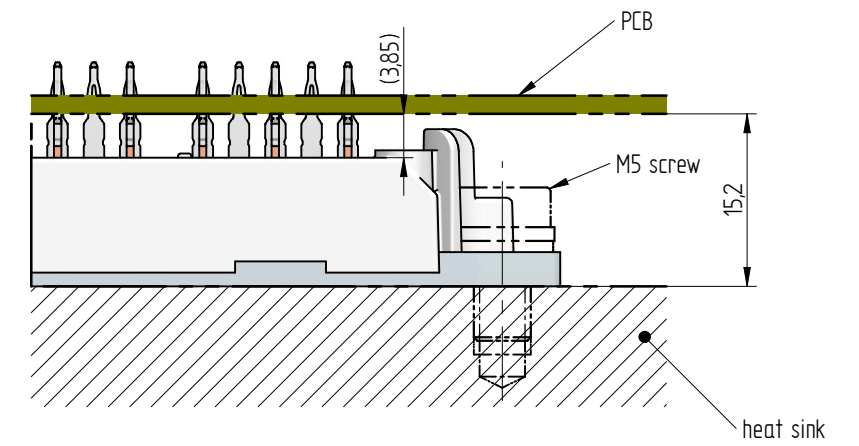
Press-fit pin



Solder pin



Mounted condition



PCB specification according to the actual handling instruction document
Refer to the module datasheet for actual pinout and 3D-CAD model
Pin position tolerance $\pm 0.4 \text{ mm}$

01	07.10.2025	Initial release	Géczy M.	Gyimóthy Zs.	Package Drawing	View scale
Rev.	Date	Alteration	Designed	Approved		1,5:1
General tolerances ISO 2768 - m , K			Ps A3		Vincotech	Page
Linear dimensions	$x < 0.5 \pm 0.05$	$0.5 \leq x < 6 \pm 0.1$	$6 \leq x < 30 \pm 0.2$	$30 \leq x < 120 \pm 0.3$		
Chamfers, radii	$x < 0.3 \pm 0.05$	$0.3 \leq x < 0.5 \pm 0.1$	$0.5 \leq x < 3 \pm 0.2$	$3 \leq x < 6 \pm 0.5$	$6 < x \pm 1$	
References	Inspectional dim: \square	Revision number (Rev.): *	IP Development		Drawing alteration in revision: {}	