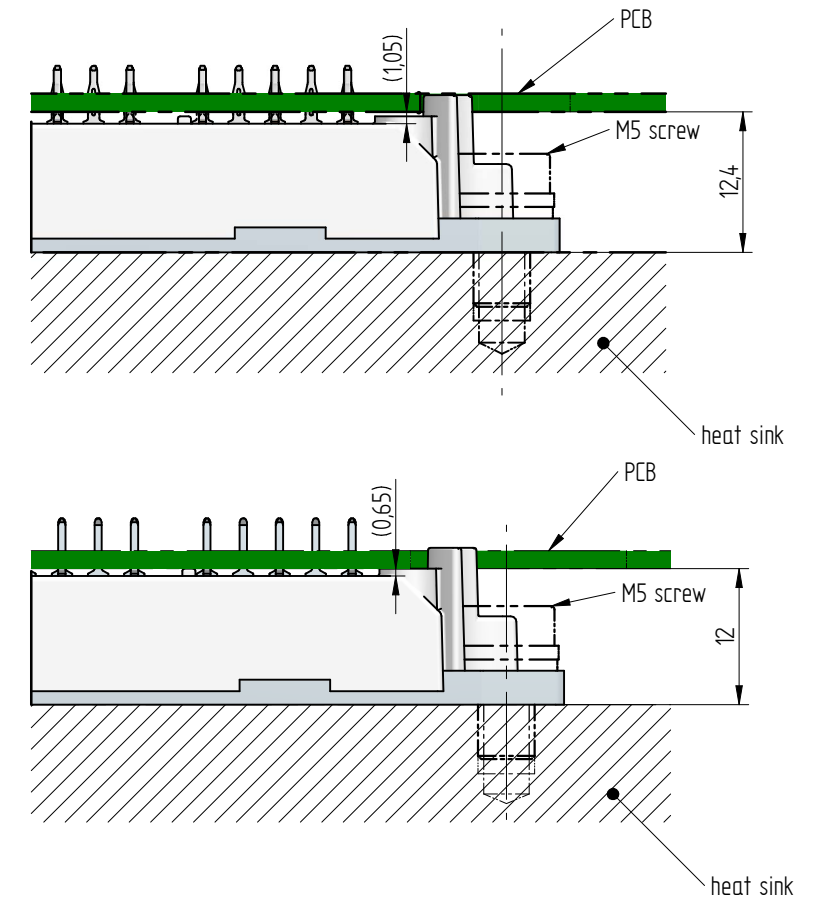


Mounted condition



PCB specification according to the actual handling instruction document
Refer to the module datasheet for actual pinout and 3D-CAD model
Pin position tolerance $\pm 0.4 \text{ mm}$

01.1	12.12.2024	Tolerance change	Géczy M.	Gyimóthy Zs.	Package Drawing	View scale 1,5:1
01	11.09.2024	Initial release	Géczy M.	Gyimóthy Zs.		
Rev.	Date	Alteration	Designed	Approved		
General tolerances ISO 2768 - m , K				Ps A3		
Linear dimensions	$x < 0.5$	$0.5 \leq x < 6$	$6 \leq x < 30$	$30 \leq x < 120$	$120 < x \leq 0.5$	
Chamfers, radii	$x < 0.3$	$0.3 \leq x < 0.5$	$0.5 \leq x < 3$	$3 \leq x < 6$	$6 < x \leq 1$	
References	Inspectional dim: \square	Revision number (Rev.): *	IP Development		Drawing alteration in revision: {}	



FlowE3BP-4T12T*-PD

Page 1/1

