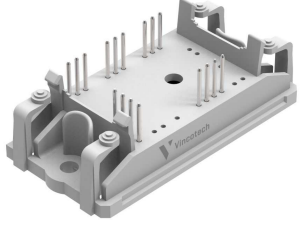
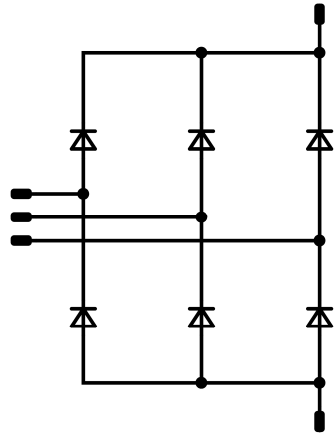




Vincotech

<i>flowCON 0</i>	1600 V / 50 A
<div style="border: 1px solid black; padding: 5px; margin-bottom: 10px;"> <p style="text-align: center; background-color: #ccc; margin: 0;"><b>Features</b></p> <ul style="list-style-type: none"> <li>Three-phase input rectifier</li> </ul> </div> <div style="border: 1px solid black; padding: 5px; margin-bottom: 10px;"> <p style="text-align: center; background-color: #ccc; margin: 0;"><b>Target applications</b></p> <ul style="list-style-type: none"> <li>Industrial Drives</li> <li>Embedded Drives</li> <li>UPS</li> </ul> </div> <div style="border: 1px solid black; padding: 5px;"> <p style="text-align: center; background-color: #ccc; margin: 0;"><b>Types</b></p> <ul style="list-style-type: none"> <li>V23990-P649-H-PM</li> </ul> </div>	<div style="border: 1px solid black; padding: 5px; margin-bottom: 10px;"> <p style="text-align: center; background-color: #ccc; margin: 0;"><i>flow 0 17 mm housing</i></p>  </div> <div style="border: 1px solid black; padding: 5px;"> <p style="text-align: center; background-color: #ccc; margin: 0;"><b>Schematic</b></p>  </div>

## Maximum Ratings

$T_j = 25\text{ °C}$ , unless otherwise specified

Parameter	Symbol	Condition	Value	Unit
<b>Rectifier Diode</b>				
Peak repetitive reverse voltage	$V_{RRM}$		1600	V
Continuous (direct) forward current	$I_F$		42	A
Surge (non-repetitive) forward current	$I_{FSM}$	50 Hz Single Half Sine Wave $t_p = 10\text{ ms}$ $T_j = 150\text{ °C}$	520	A
Surge current capability	$I_{Pt}$		1350	A <sup>2</sup> s
Total power dissipation	$P_{tot}$	$T_j = T_{jmax}$ $T_s = 80\text{ °C}$	73	W
Maximum junction temperature	$T_{jmax}$		150	°C



Vincotech

## Maximum Ratings

$T_j = 25\text{ °C}$ , unless otherwise specified

Parameter	Symbol	Condition	Value	Unit
-----------	--------	-----------	-------	------

### Module Properties

#### Thermal Properties

Storage temperature	$T_{stg}$		-40...+125	°C
Operation temperature under switching condition	$T_{top}$		-40...(T <sub>max</sub> - 25)	°C

#### Isolation Properties

Isolation voltage	$V_{isol}$	DC Test Voltage* $t_p = 2\text{ s}$	6000	V
		AC Voltage $t_p = 1\text{ min}$	2500	V
Creepage distance			min. 12,7	mm
Clearance			min. 12,7	mm
Comparative Tracking Index	CTI		> 200	

\*100 % tested in production



## Characteristic Values

Parameter	Symbol	Conditions					Value			Unit
		$V_{GE}$ [V]	$V_{CE}$ [V]	$I_C$ [A]	$T_j$ [°C]	$V_{GS}$ [V]	$V_{DS}$ [V]	$I_D$ [A]	$I_F$ [A]	

### Rectifier Diode

#### Static

Forward voltage	$V_F$			42	25 125			1,10 1,04		V
Reverse leakage current	$I_R$			1600	25 150				20 1500	$\mu$ A

#### Thermal

Thermal resistance junction to sink	$R_{th(j-s)}$	$\lambda_{paste} = 3,4$ W/mK (PSX)						0,97		K/W
-------------------------------------	---------------	---------------------------------------	--	--	--	--	--	------	--	-----

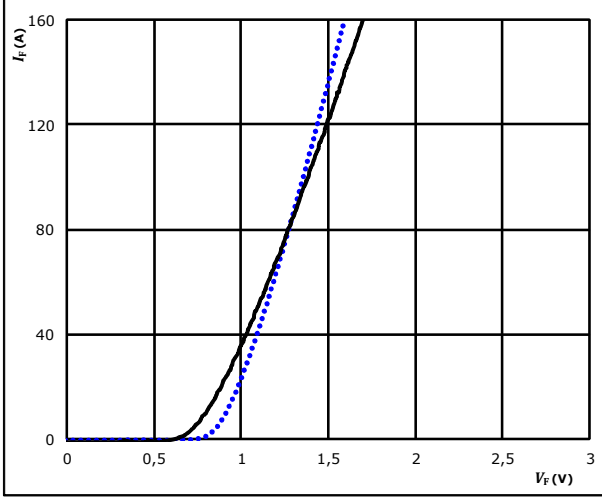


## Rectifier Diode Characteristics

**figure 1.** FWD

Typical forward characteristics

$$I_F = f(V_F)$$

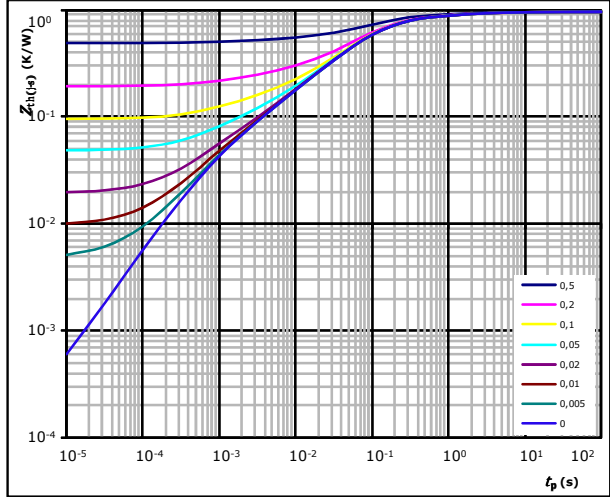


$t_p = 250 \mu s$   $T_j: 25 \text{ }^\circ\text{C}$  (dotted blue line)  $125 \text{ }^\circ\text{C}$  (solid black line)

**figure 2.** FWD

Transient thermal impedance as a function of pulse width

$$Z_{th(j-s)} = f(t_p)$$



$D = t_p / T$   
 $R_{th(j-s)} = 0,97 \text{ K/W}$

FWD thermal model values

$R$ (K/W)	$\tau$ (s)
3,98E-02	7,88E+00
1,29E-01	8,64E-01
4,20E-01	1,32E-01
2,76E-01	4,24E-02
6,63E-02	5,80E-03
3,37E-02	8,90E-04



Vincotech

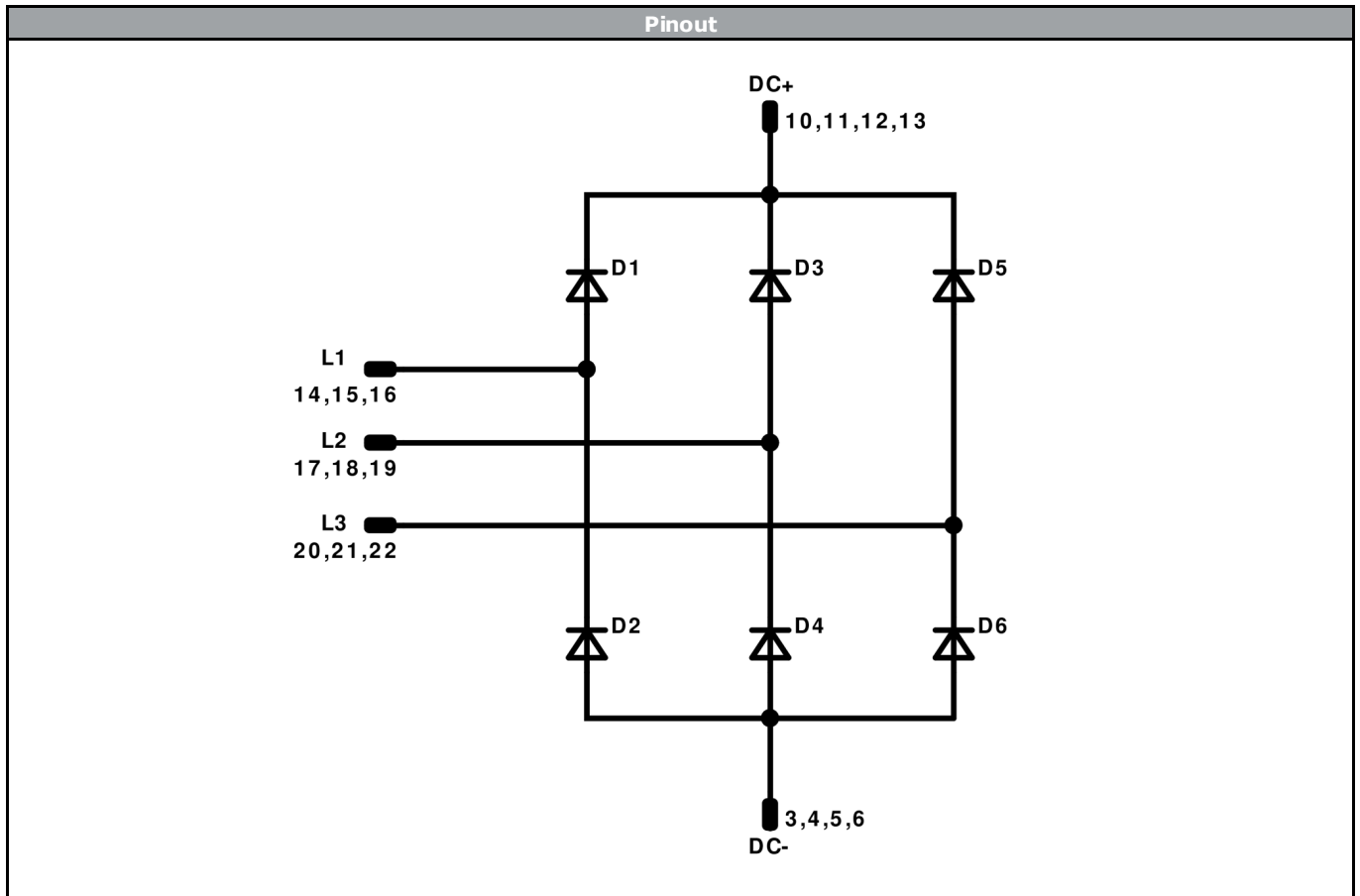
Ordering Code & Marking										
<b>Version</b>				<b>Ordering Code</b>						
without thermal paste 17 mm housing with solder pins				V23990-P649-H-PM						
VIN WWYY NNNNNNVV UL LLLL SSSS				<b>Text</b>	<b>VIN</b>	<b>Date code</b>	<b>Name&amp;Ver</b>	<b>UL</b>	<b>Lot</b>	<b>Serial</b>
					VIN	WWYY	NNNNNNVV	UL	LLLL	SSSS
				<b>Datamatrix</b>	<b>Type&amp;Ver</b>	<b>Lot number</b>	<b>Serial</b>	<b>Date code</b>		
					TTTTTTVV	LLLL	SSSS	WWYY		

Pin table			
Pin	X	Y	Function
1			Not assembled
2			Not assembled
3	26,4	0	DC-
4	23,9	0	DC-
5	21,4	0	DC-
6	18,9	0	DC-
7			Not assembled
8			Not assembled
9			Not assembled
10	0	0	DC+
11	0	2,5	DC+
12	0	5	DC+
13	0	7,5	DC+
14	0	22,5	L1
15	2,5	22,5	L1
16	5	22,5	L1
17	12	22,5	L2
18	14,5	22,5	L2
19	17	22,5	L2
20	24	22,5	L3
21	26,5	22,5	L3
22	29	22,5	L3
23			Not assembled
24			Not assembled
25			Not assembled

Tolerance of pinpositions: ±0.5mm at the end of pins  
Dimension of coordinate axis is only offset without tolerance



Vincotech



<b>Identification</b>					
ID	Component	Voltage	Current	Function	Comment
D1, D2, D3, D4, D5, D6	Rectifier	1600 V	42 A	Rectifier Diode	




Vincotech

Packaging instruction			
Standard packaging quantity (SPQ) 135	>SPQ	Standard	<SPQ Sample

Handling instruction
Handling instructions for <i>flow 0</i> packages see vincotech.com website.

Package data
Package data for <i>flow 0</i> packages see vincotech.com website.

UL recognition and file number
This device is certified according to UL 1557 standard, UL file number E192116. For more information see vincotech.com website. 

Document No.:	Date:	Modification:	Pages
V23990-P649-H-D1-14	20 Jun. 2018		

**DISCLAIMER**

The information, specifications, procedures, methods and recommendations herein (together "information") are presented by Vincotech to reader in good faith, are believed to be accurate and reliable, but may well be incomplete and/or not applicable to all conditions or situations that may exist or occur. Vincotech reserves the right to make any changes without further notice to any products to improve reliability, function or design. No representation, guarantee or warranty is made to reader as to the accuracy, reliability or completeness of said information or that the application or use of any of the same will avoid hazards, accidents, losses, damages or injury of any kind to persons or property or that the same will not infringe third parties rights or give desired results. It is reader's sole responsibility to test and determine the suitability of the information and the product for reader's intended use.

**LIFE SUPPORT POLICY**

Vincotech products are not authorised for use as critical components in life support devices or systems without the express written approval of Vincotech.

As used herein:

1. Life support devices or systems are devices or systems which, (a) are intended for surgical implant into the body, or (b) support or sustain life, or (c) whose failure to perform when properly used in accordance with instructions for use provided in labelling can be reasonably expected to result in significant injury to the user.
2. A critical component is any component of a life support device or system whose failure to perform can be reasonably expected to cause the failure of the life support device or system, or to affect its safety or effectiveness.