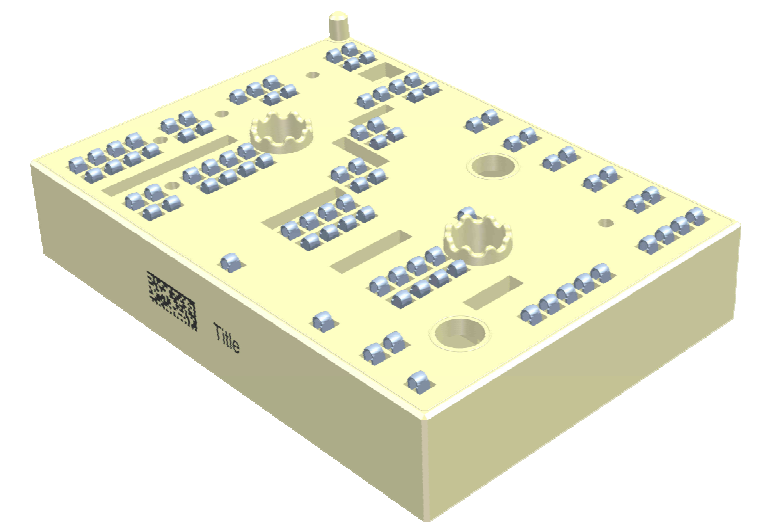
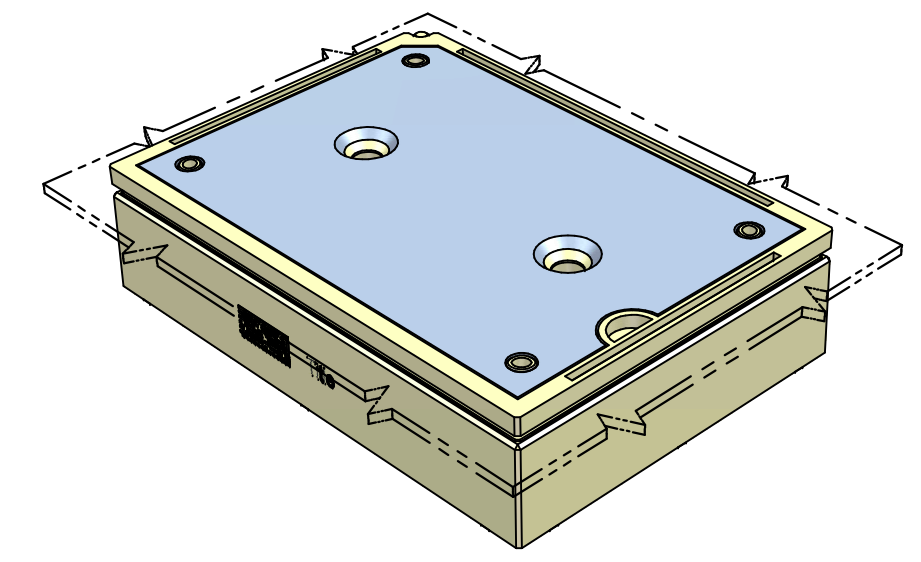
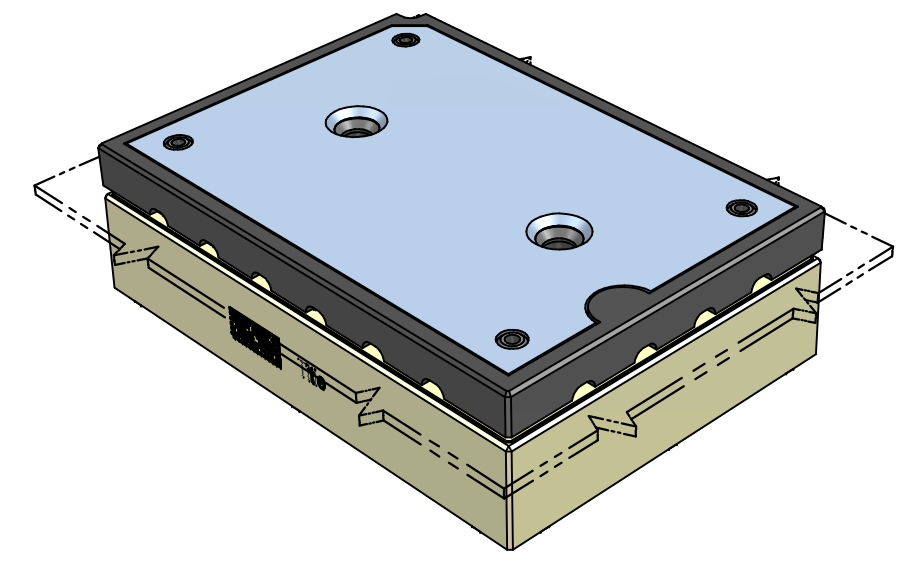
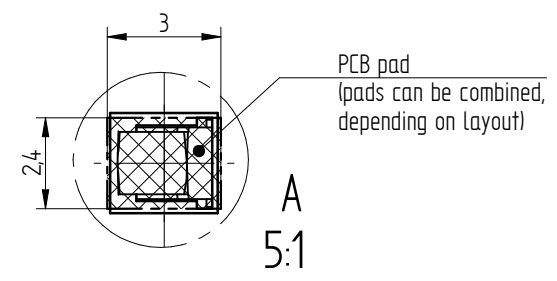


Tolerance of coordinate dimensions: $\pm 0,1$ mm
 PCB specification according to the actual handling instruction
 Actual pinout, see on the module datasheet
 The press lid is not part of the module, it has to be ordered separately
 For assembly related dimensions refer to the attached 3D-CAD models



01.02	07.07.2015	changes on lids	Gyimóthy Zs	Géczy M.	Package drawing	View scale 1,2:1
01.01	09.06.2015	dim. correction; updates on std. lid	Gyimóthy Zs	Gyetvai T.		
01	19.12.2014	initial release	Gyimóthy Zs	Gyetvai T.	Page 1/1	
Rev.	Date	Alteration	Designed	Approved		
General tolerances ISO 2768 - m , K			Ps A3		Skip3*-PD	Page 1/1
Linear dimensions		x < 0,5 ± 0,05	0,5 ≤ x < 6 ± 0,1	6 ≤ x < 30 ± 0,2		
Chamfers, radii		x < 0,3 ± 0,05	0,3 ≤ x < 0,5 ± 0,1	0,5 ≤ x < 3 ± 0,2	3 ≤ x < 6 ± 0,5	6 < x ± 1
References		Inspectional dim:	Revision number (Rev.): *		IP Development	
					Drawing alteration in revision: {}	

Proprietary data, company confidential. All rights reserved.