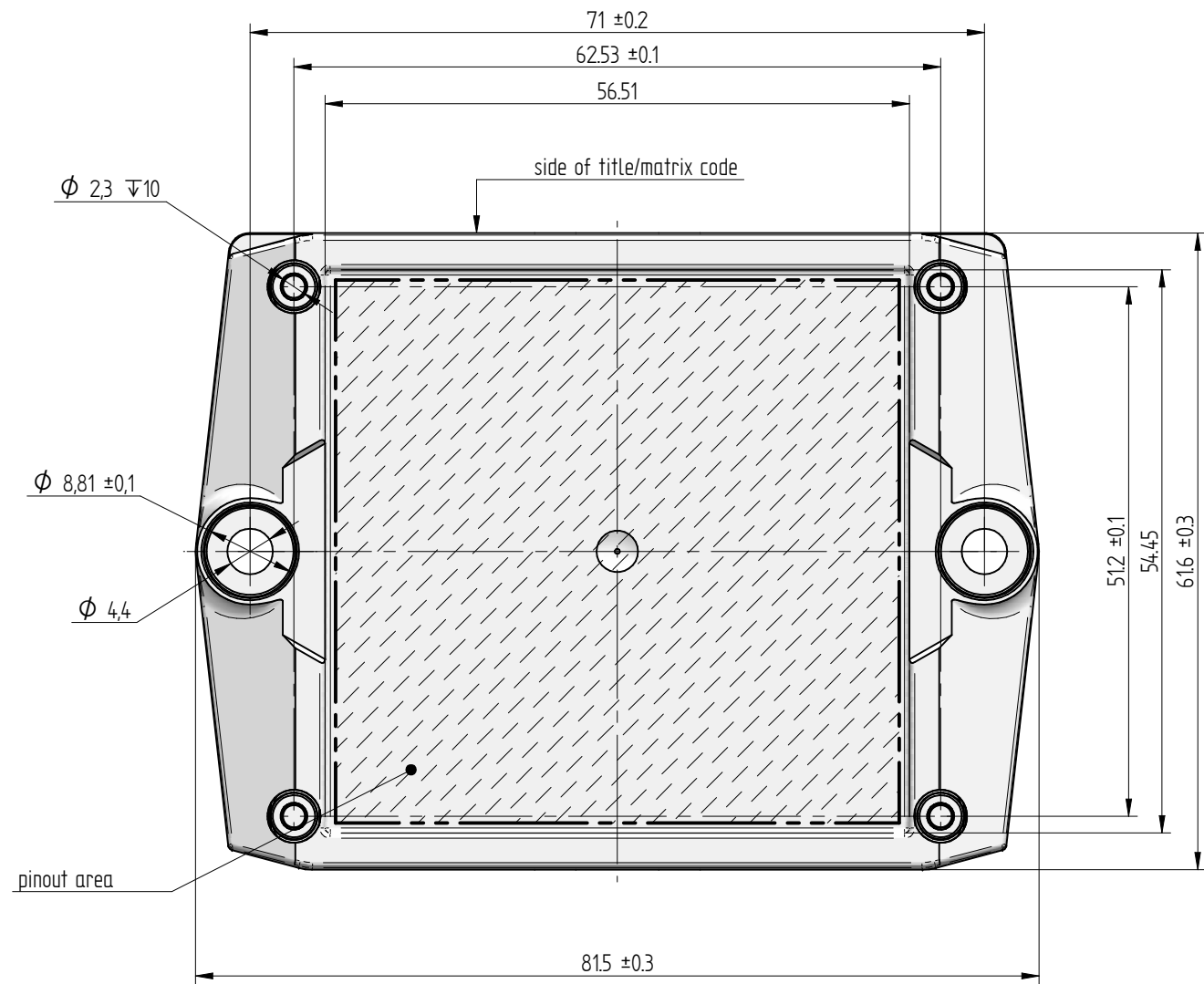
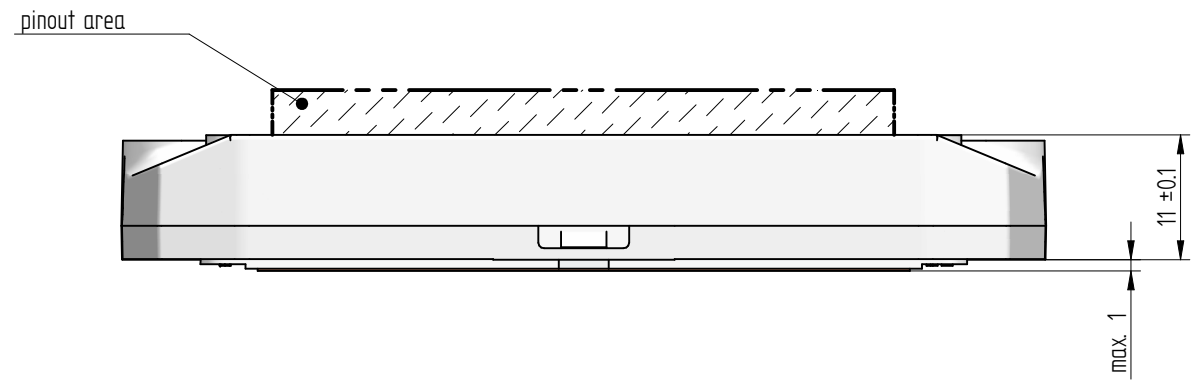
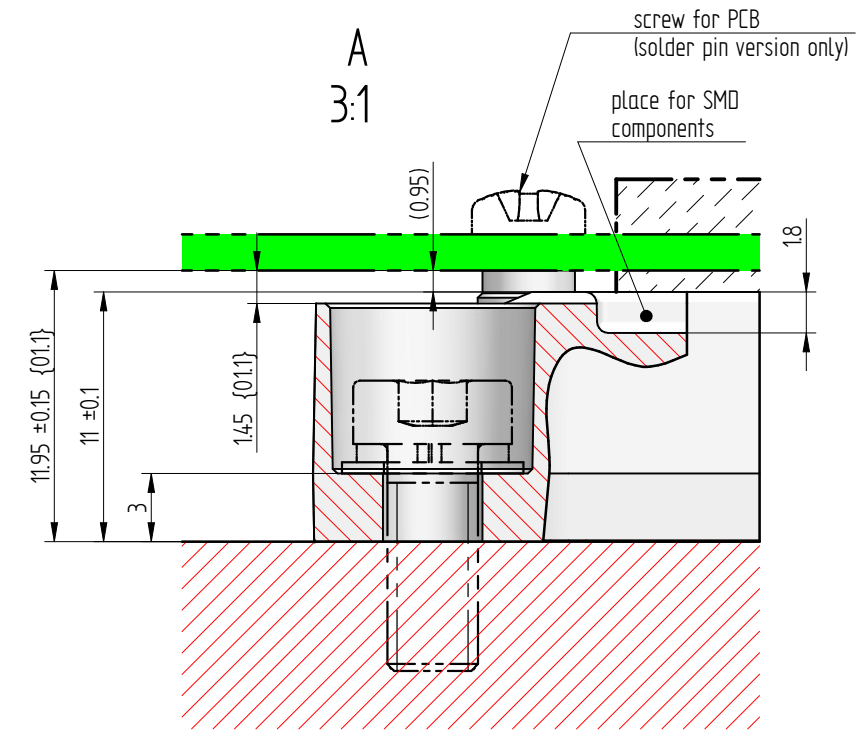
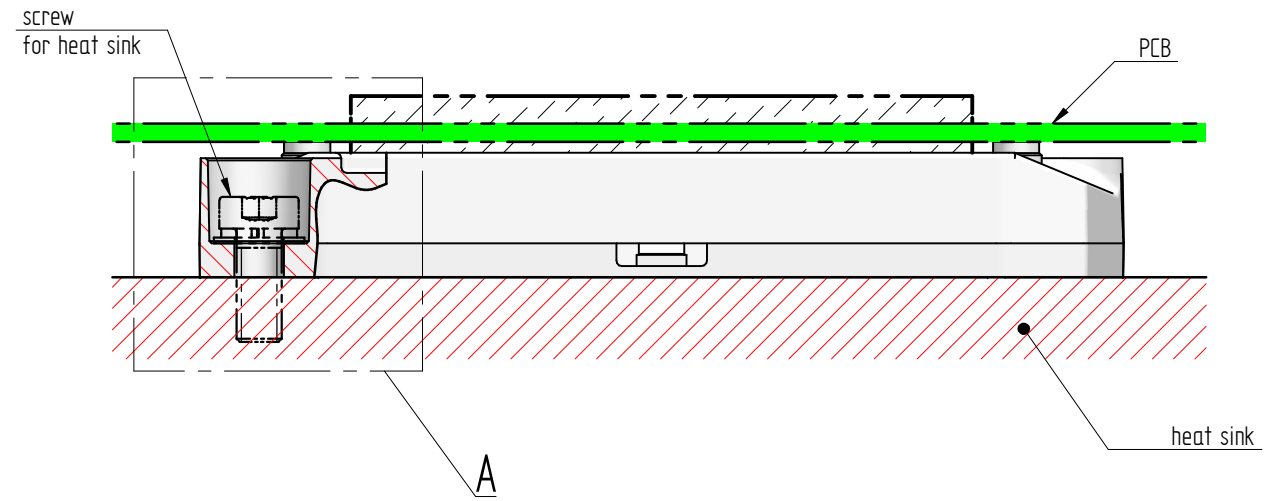


### Before mounting



### After mounting



PCB specification according to the actual handling instruction document  
Refer to the module datasheet for actual pinout and 3D-CAD model

01.2	17.06.2020	remove detail view of Press-fit pin variant	Gyimóthy Zs.	Géczy M.	Package Drawing	View scale 1,5:1		
01.1	10.06.2020	correction of mounting height at both pin variants	Gyimóthy Zs.	Géczy M.				
01	27.04.2020	initial release	Gyimóthy Zs.	Géczy M.				
Rev.	Date	Alteration	Designed	Approved				
<b>General tolerances ISO 2768 - m , K</b>			<b>Ps A3</b>			Page 1/1		
<b>Linear dimensions</b>		x < 0.5 ± 0.05	0.5 ≤ x < 6 ± 0.1	6 ≤ x < 30 ± 0.2			30 ≤ x < 120 ± 0.3	120 < x ± 0.5
<b>Chamfers, radii</b>		x < 0.3 ± 0.05	0.3 ≤ x < 0.5 ± 0.1	0.5 ≤ x < 3 ± 0.2			3 ≤ x < 6 ± 0.5	6 < x ± 1
<b>References</b>		Inspectional dim:	Revision number (Rev.): *				IP Development	Drawing alteration in revision: {}