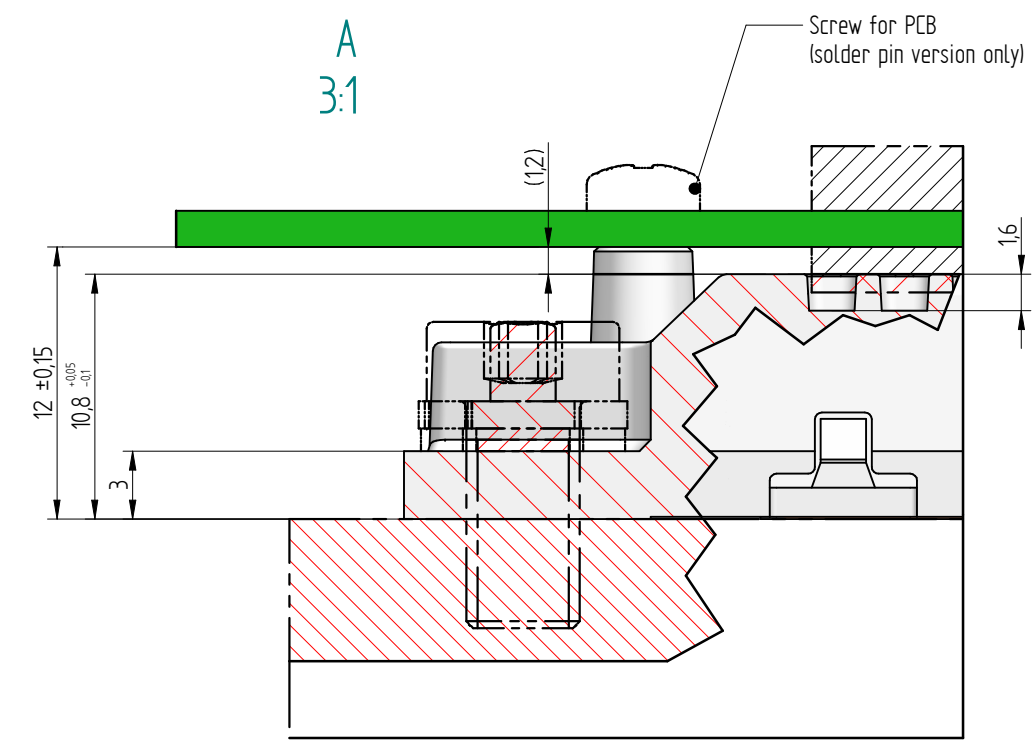
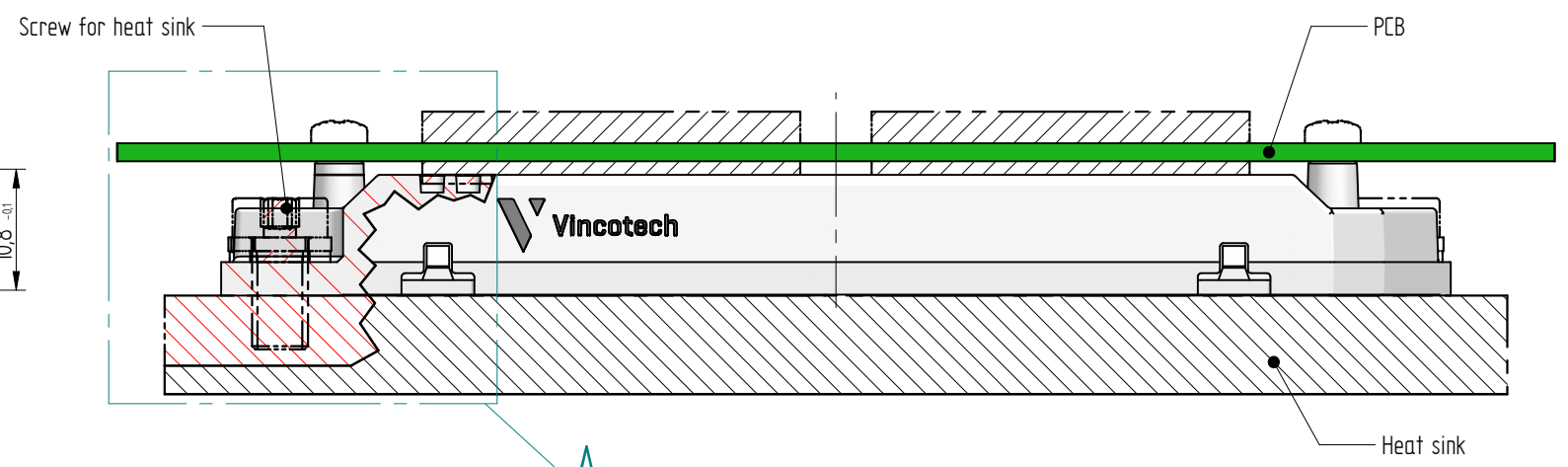
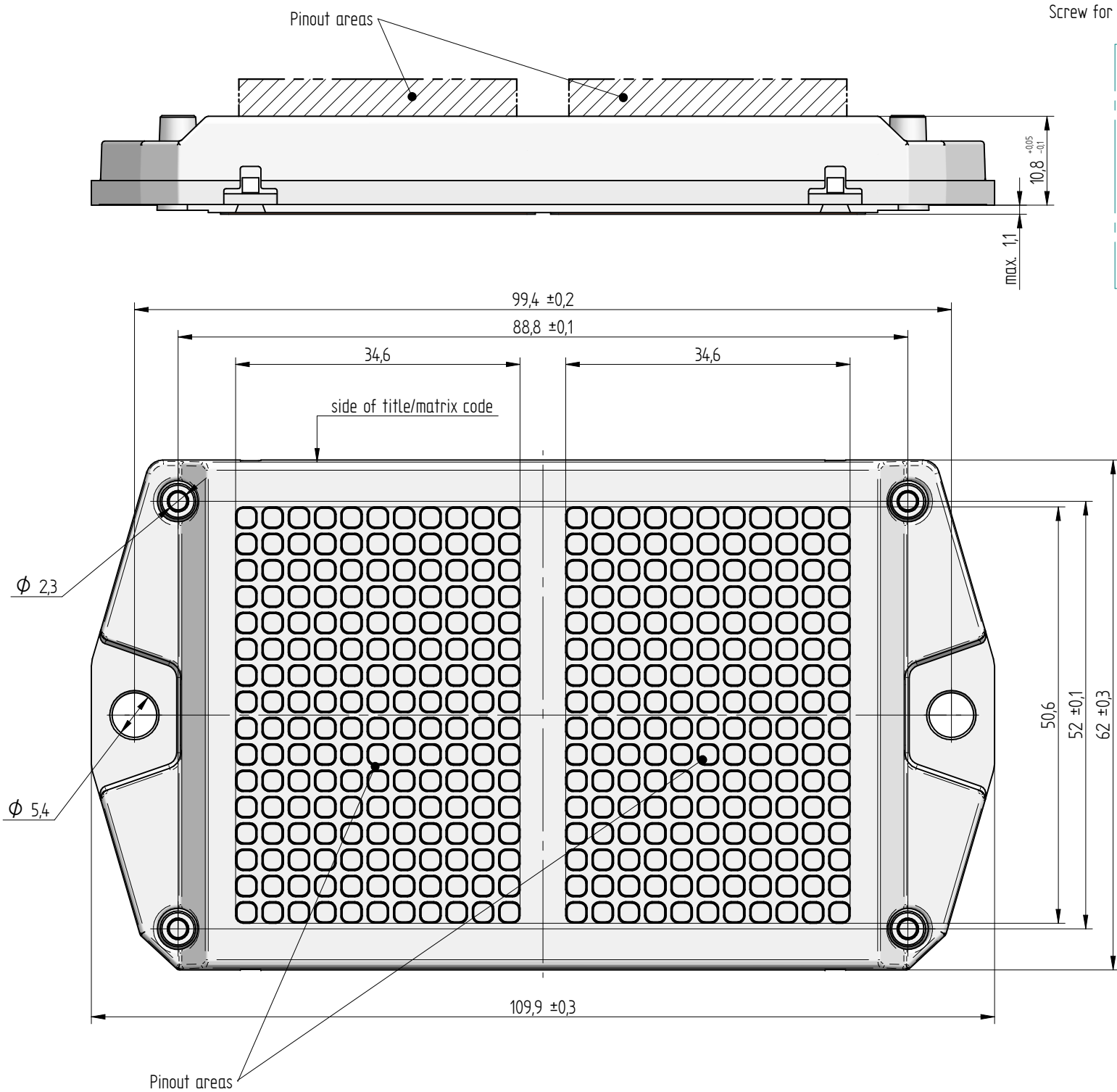


Before mounting

After mounting



Proprietary data, company confidential. All rights reserved.

PCB specification according to the actual handling instruction document
Refer to the module datasheet for actual pinout and 3D-CAD model

02	22.05.2023	Finalization of top desing	M. Buza	Zs. Gyimóthy	Package Drawing	View scale 1,5:1
01	01.02.2022	Initial release	M. Buza	Zs. Gyimóthy		
Rev.	Date	Alteration	Designed	Approved		
General tolerances ISO 2768 - m , K			Ps A3			Page 1/1
Linear dimensions	x < 0,5 ± 0,05	0,5 ≤ x < 6 ± 0,1	6 ≤ x < 30 ± 0,2	30 ≤ x < 120 ± 0,3		
Chamfers, radii	x < 0,3 ± 0,05	0,3 ≤ x < 0,5 ± 0,1	0,5 ≤ x < 3 ± 0,2	3 ≤ x < 6 ± 0,5	6 < x ± 1	
References	Inspectional dim:	Revision number (Rev.): *	IP Development		Drawing alteration in revision: {}	