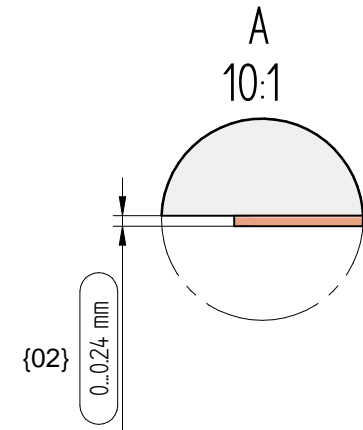
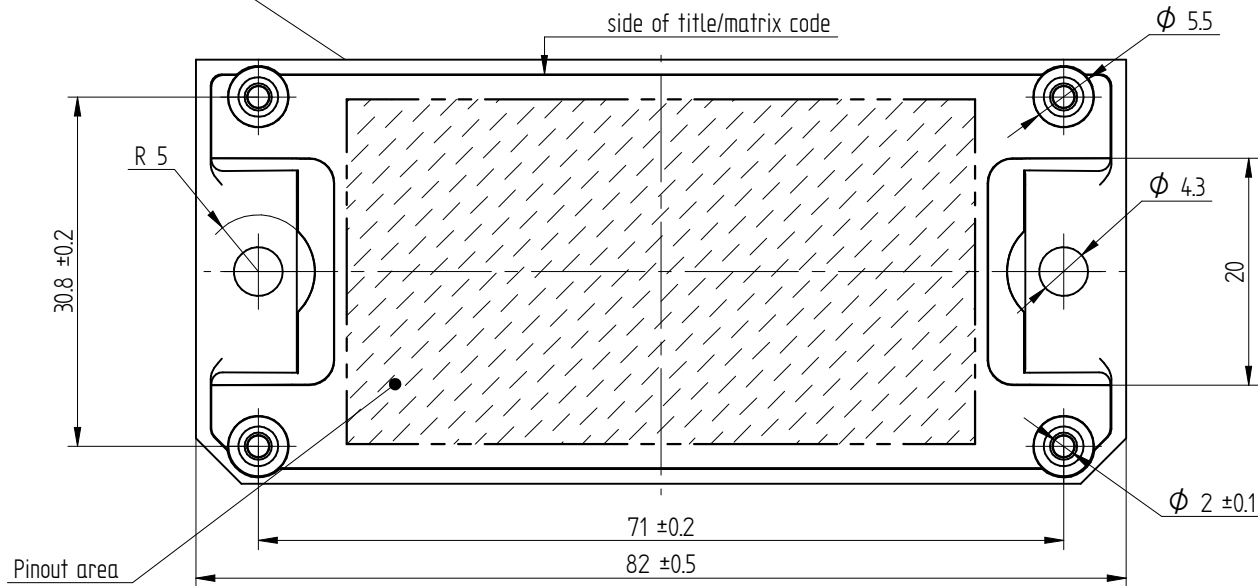


TOP VIEW WITHOUT PCB



PCB specification according to the actual handling instruction document
Refer to the module datasheet for actual pinout and 3D-CAD model

02	03.07.2020	Stepheight, convexity, bridge thickness tolerance	T. Pribéli	Zs. Gyimóthy	Package Drawing	View scale 1,5:1
01	09.02.2015	Initial release	T. Gyetvai	Zs. Gyimóthy		
Rev.	Date	Alteration	Designed	Approved		
General tolerances ISO 2768 - m , K				Ps A4		
Linear dimensions		$x < 0,5 \pm 0,05$	$0,5 \leq x < 6 \pm 0,1$	$6 \leq x < 30 \pm 0,2$	$30 \leq x < 120 \pm 0,3$	$120 < x \pm 0,5$
Chamfers, radii		$x < 0,3 \pm 0,05$	$0,3 \leq x < 0,5 \pm 0,1$	$0,5 \leq x < 3 \pm 0,2$	$3 \leq x < 6 \pm 0,5$	$6 < x \pm 1$
References		Inspectional dim:	Revision number (Rev.): *		IP Development	Drawing alteration in revision: {}



Flow1-4T17-*-PD

Page
1/1