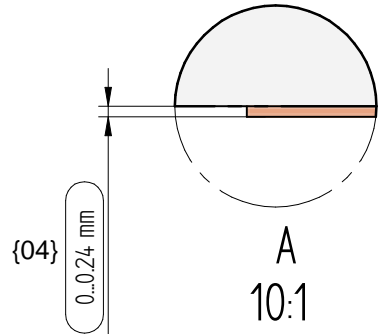
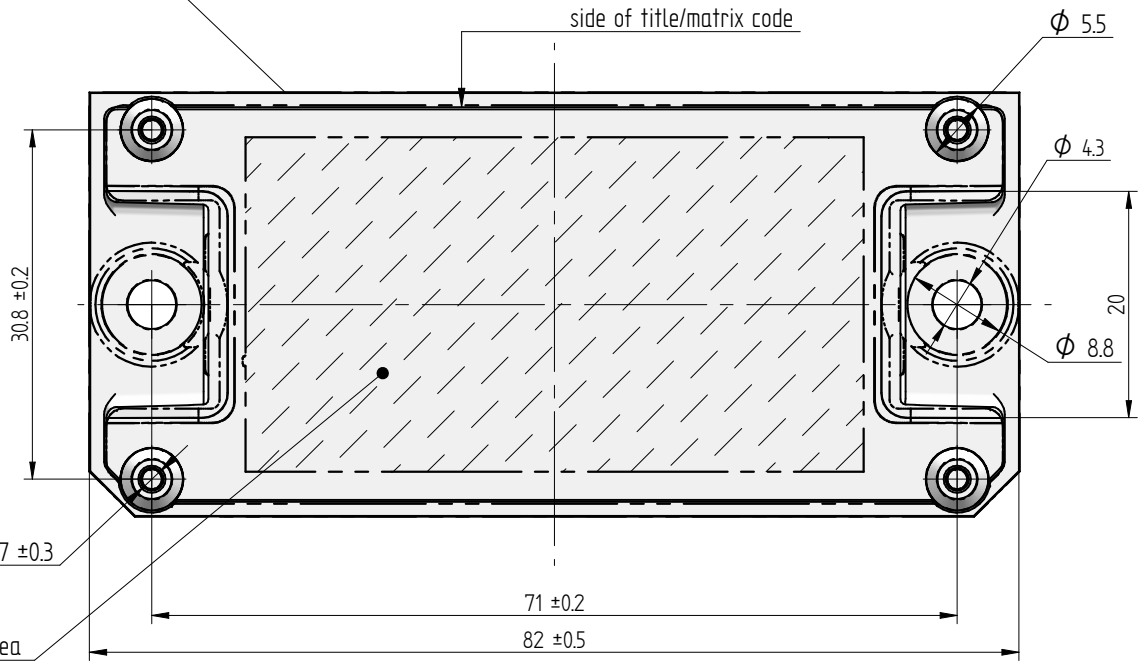


TOP VIEW WITHOUT PCB

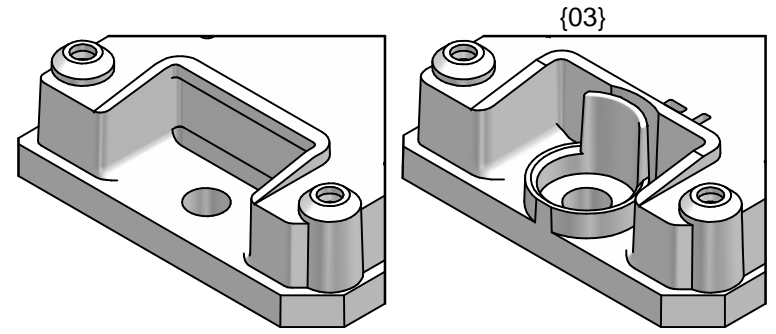
Convexity: 0.05...0.25 mm unless other specified in the outline drawing!

{04}

side of title/matrix code



Design variants



PCB specification according to the actual handling instruction document
Refer to the module datasheet for actual pinout and 3D-CAD model

04	03.07.2020	Stepheight, convexity, bridge thickness tolerance	T. Pribeli	Zs. Gyimóthy	Package Datasheet	View scale 1:5	
03	23.08.2018	Additional member in construction	T. Pribeli	M. Buza			
02	06.08.2015	Additional dimensions	M. Buza	Zs. Gyimóthy			
Rev.	Date	Alteration	Designed	Approved			
General tolerances ISO 2768 - m , K				Ps A4		Flow1-4T12-*-PD	
Linear dimensions		x < 0.5 ± 0.05	0.5 ≤ x < 6 ± 0.1	6 ≤ x < 30 ± 0.2	30 ≤ x < 120 ± 0.3		120 < x ± 0.5
Chamfers, radii		x < 0.3 ± 0.05	0.3 ≤ x < 0.5 ± 0.1	0.5 ≤ x < 3 ± 0.2	3 ≤ x < 6 ± 0.5		6 < x ± 1
References		Inspectional dim:	Revision number (Rev.): *		IP Development	Drawing alteration in revision: {}	

