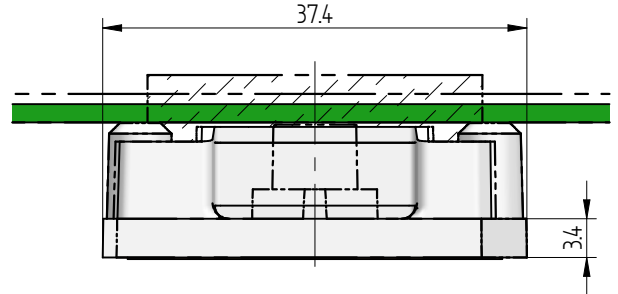
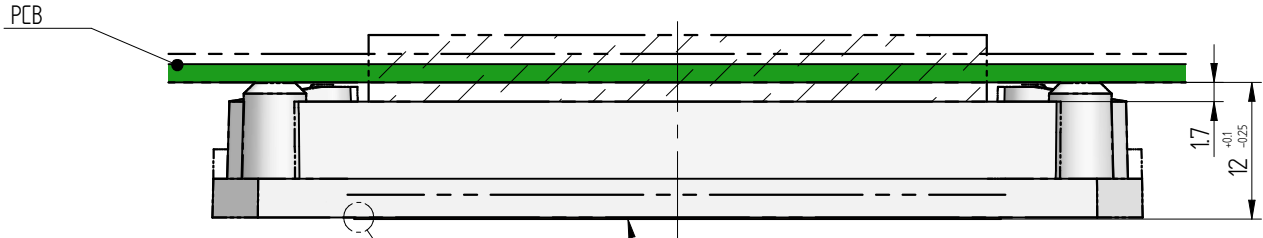
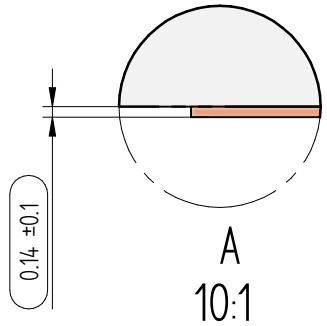
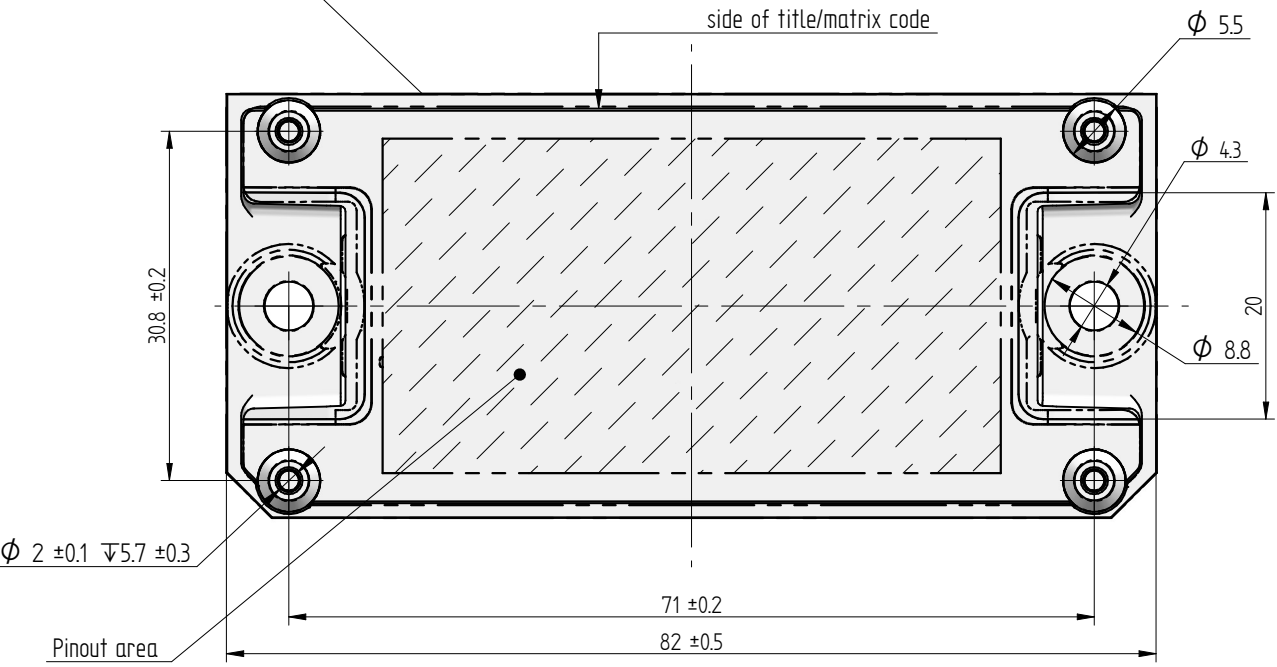


Proprietary data, company confidential. All rights reserved.

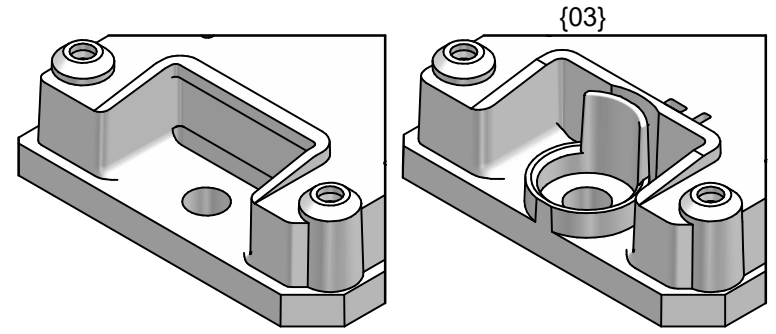


Convexity: 0.15 ±0.1 mm unless other specified in the outline drawing!

TOP VIEW WITHOUT PCB



Design variants



PCB specification according to the actual handling instruction document  
Refer to the module datasheet for actual pinout and 3D-CAD model

03	23.08.2018	Additional member in construction	T. Pribéli	M. Buza	Package Datasheet	View scale 1:5
02	06.08.2015	Additional dimensions	M. Buza	Zs. Gyimóthy		
01	09.02.2015	Initial release	T. Gyetvai	Zs. Gyimóthy		
Rev.	Date	Alteration	Designed	Approved		
<b>General tolerances ISO 2768 - m , K</b>			<b>Ps A4</b>			
<b>Linear dimensions</b>		x < 0,5 ±0,05	0,5 ≤ x < 6 ±0,1	6 ≤ x < 30 ±0,2	30 ≤ x < 120 ±0,3	120 < x ±0,5
<b>Chamfers, radii</b>		x < 0,3 ±0,05	0,3 ≤ x < 0,5 ±0,1	0,5 ≤ x < 3 ±0,2	3 ≤ x < 6 ±0,5	6 < x ±1
<b>References</b>		Inspectional dim:	Revision number (Rev.): *		IP Development	
					Flow1-4T12-*-PD	Page 1/1
					Drawing alteration in revision: {}	