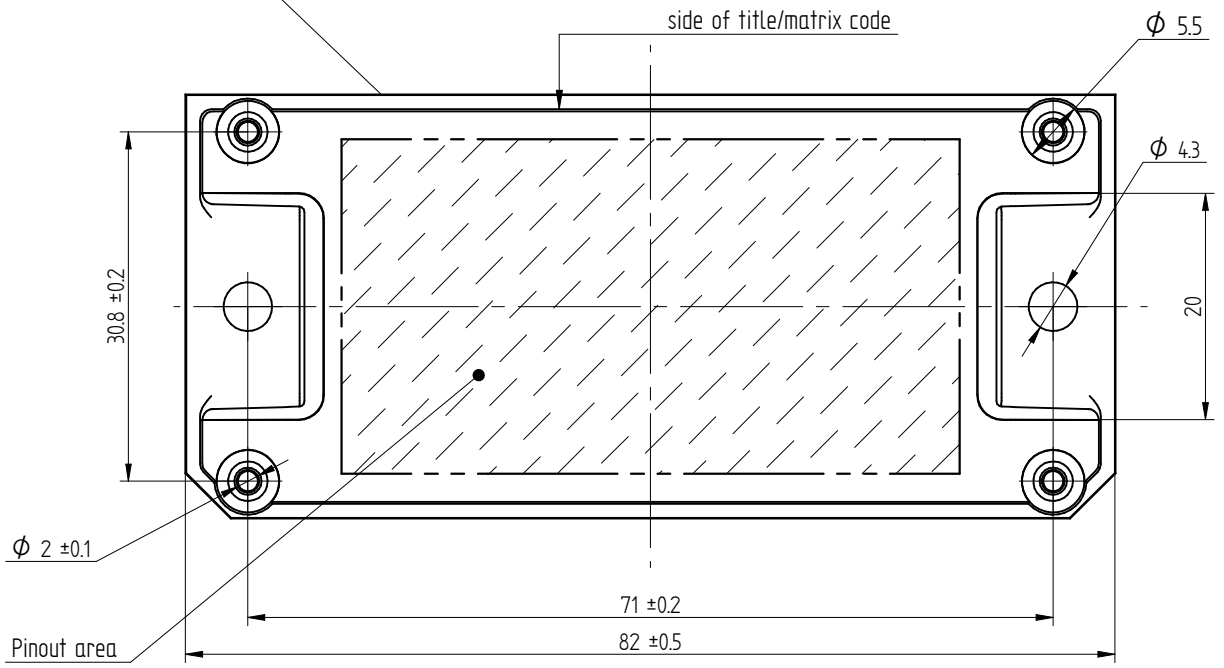


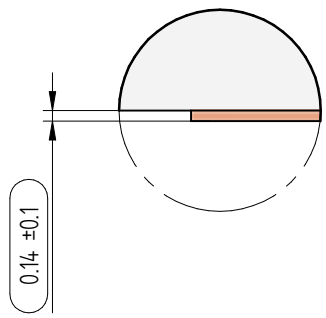
TOP VIEW WITHOUT PCB

Convexity: 0.15 ±0,1 mm

side of title/matrix code



A
10:1



PCB specification according to the actual handling instruction document
Refer to the module datasheet for actual pinout and 3D-CAD model

01		09.02.2015		Initial release		T.Gyetvai	Zs.Gyimóthy	Package Datasheet	View scale 1:5
Rev.	Date	Alteration		Designed	Approved				
General tolerances ISO 2768 - m , K				Ps A4					
Linear dimensions	x < 0,5 ±0,05	0,5 ≤ x < 6 ±0,1	6 ≤ x < 30 ±0,2	30 ≤ x < 120 ±0,3	120 < x ±0,5				
Chamfers, radii	x < 0,3 ±0,05	0,3 ≤ x < 0,5 ±0,1	0,5 ≤ x < 3 ±0,2	3 ≤ x < 6 ±0,5	6 < x ±1				
References	Inspectional dim:	Revision number (Rev.): *		IP Development		Drawing alteration in revision: {}		Flow1-4T12*-PD	Page 1/1