



Vincotech

Characteristic Values

Parameter	Symbol	Conditions					Values			Unit
		V_{GE} [V] V_{GS} [V]	V_{CE} [V] V_{DS} [V] V_F [V]	I_C [A] I_D [A] I_F [A]	T_j [°C]	Min	Typ	Max		

Thermistor

Static

Rated resistance	R				25		22		kΩ
Deviation of R_{100}	$A_{R/R}$	$R_{100} = 1484 \Omega$			100	-5		5	%
Power dissipation	P				25		130		mW
Power dissipation constant	d				25		1,5		mW/K
B-value	$B_{(25/50)}$	Tol. $\pm 1 \%$					3962		K
B-value	$B_{(25/100)}$	Tol. $\pm 1 \%$					4000		K
Vincotech Thermistor Reference								I	



Vincotech

10-FZ062TA050SM-P987D13
target datasheet

Ordering Code	
Version	Ordering Code
Without thermal paste	10-FZ062TA050SM-P987D13
With thermal paste (5,2 W/mK, PTM6000HV)	10-FZ062TA050SM-P987D13-/7/
With thermal paste (3,4 W/mK, PSX-P7)	10-FZ062TA050SM-P987D13-/3/

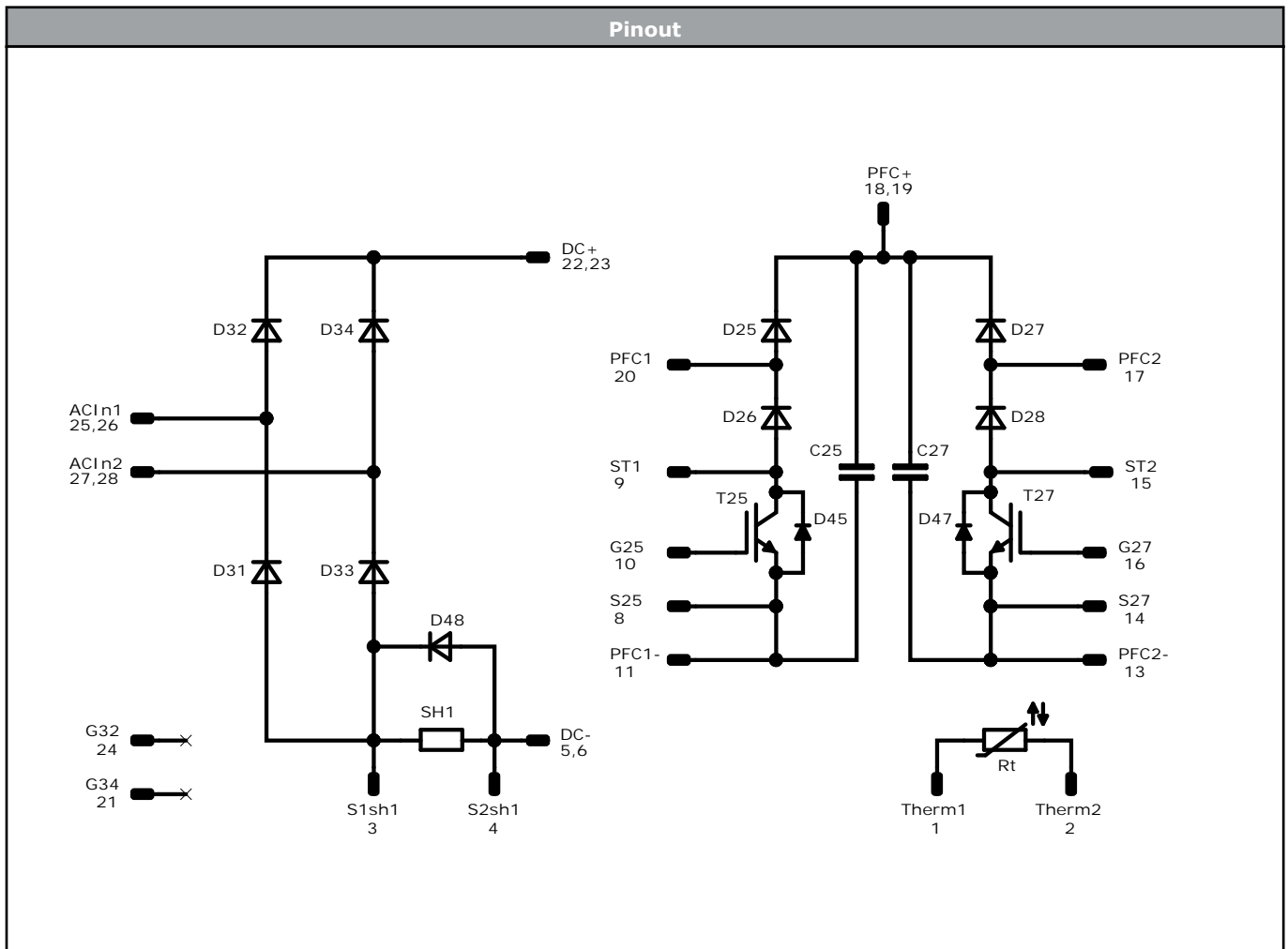
Marking						
	Text	Name NN-NNNNNNNNNNNNNN- TTTTIVV	Date code WWYY	UL & VIN UL VIN	Lot LLLLL	Serial SSSS
	Datamatrix	Type&Ver TTTTIVV	Lot number LLLLL	Serial SSSS	Date code WWYY	

Pin table [mm]			
Pin	X	Y	Function
1	33,5	0	Therm1
2	33,5	2,8	Therm2
3	29,5	2,8	S1sh1
4	29,5	0	S2sh1
5	26,7	0	DC-
6	23,9	0	DC-
7	not assembled		
8	14,85	0	S25
9	14,05	13,35	ST1
10	12,05	0	G25
11	9,5	12,05	PFC1-
12	not assembled		
13	6,7	12,05	PFC2-
14	3,9	0	S27
15	2,2	13,35	ST2
16	1,1	0	G27
17	0	22,7	PFC2
18	7,1	22,7	PFC+
19	7,1	20,2	PFC+
20	14,2	22,7	PFC1
21	20,7	22,7	G34
22	23,5	22,7	DC+
23	26	22,7	DC+
24	28,8	22,7	G32
25	33,5	18,55	ACIn1
26	33,5	16,05	ACIn1
27	33,5	8,7	ACIn2
28	31	8,7	ACIn2

Tolerance of pinpositions: ±0,5mm at the end of pins
Dimension of coordinate axis is only offset without tolerance



Vincotech



Identification					
ID	Component	Voltage	Current	Function	Comment
T25, T27	IGBT	650 V	50 A	PFC Switch	
D25, D27	FWD	600 V	30 A	PFC Diode	
D45, D47	FWD	650 V	10 A	PFC Sw. Protection Diode	
D26, D28	FWD	650 V	10 A	Current Transformer Protection Diode	
D48	Rectifier	1600 V	50 A	Shunt Protection Diode	
D31, D32, D33, D34	Rectifier	1600 V	50 A	Rectifier Diode	
SH1	Shunt			PFC Shunt	
C25, C27	Capacitor	1000 V		Capacitor (DC)	
Rt	Thermistor			Thermistor	




Packaging instruction				
Standard packaging quantity (SPQ) 135	>SPQ	Standard	<SPQ	Sample

Handling instruction
Handling instructions for <i>flow 0</i> packages see vincotech.com website.

Package data
Package data for <i>flow 0</i> packages see vincotech.com website.

Vincotech thermistor reference
See Vincotech thermistor reference table at vincotech.com website.

UL recognition and file number
This device is certified according to UL 1557 standard, UL file number E192116. For more information see vincotech.com website. 

Document No.:	Date:	Modification:	Pages
10-FZ062TA050SM-P987D13-T2-14	28 Jun. 2022		

Product status definition		
Datasheet Status	Product Status	Definition
Target	Formative or In Design	This datasheet contains the design specifications for product development. Specifications may change in any manner without notice. The data contained is exclusively intended for technically trained staff.

DISCLAIMER

The information, specifications, procedures, methods and recommendations herein (together "information") are presented by Vincotech to reader in good faith, are believed to be accurate and reliable, but may well be incomplete and/or not applicable to all conditions or situations that may exist or occur. Vincotech reserves the right to make any changes without further notice to any products to improve reliability, function or design. No representation, guarantee or warranty is made to reader as to the accuracy, reliability or completeness of said information or that the application or use of any of the same will avoid hazards, accidents, losses, damages or injury of any kind to persons or property or that the same will not infringe third parties rights or give desired results. It is reader's sole responsibility to test and determine the suitability of the information and the product for reader's intended use.

LIFE SUPPORT POLICY

Vincotech products are not authorised for use as critical components in life support devices or systems without the express written approval of Vincotech.

As used herein:

1. Life support devices or systems are devices or systems which, (a) are intended for surgical implant into the body, or (b) support or sustain life, or (c) whose failure to perform when properly used in accordance with instructions for use provided in labelling can be reasonably expected to result in significant injury to the user.
2. A critical component is any component of a life support device or system whose failure to perform can be reasonably expected to cause the failure of the life support device or system, or to affect its safety or effectiveness.