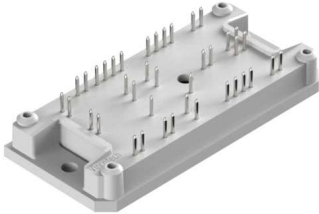
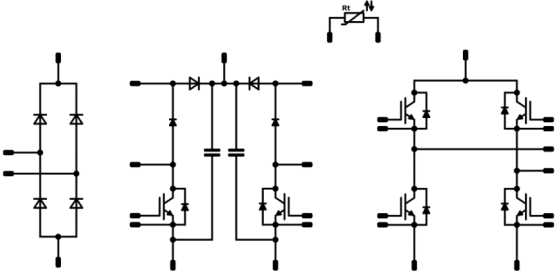




Vincotech

<i>flow</i> RPI 1	650 V / 15 A
<div style="background-color: #eee; padding: 2px; margin-bottom: 5px;"><b>Features</b></div> <ul style="list-style-type: none"> <li>High integration level of Rectifier, PFC and Inverter</li> <li>High-efficiency Input Rectifier</li> <li>Dual PFC with high efficiency, fast IGBT H5 + ultra-fast Si Diode</li> <li>High efficiency H-Bridge inverter with fast IGBT H5</li> <li>Temperature sensor</li> </ul>	<div style="background-color: #eee; padding: 2px; margin-bottom: 5px;"><b>flow 1 12mm housing</b></div> 
<div style="background-color: #eee; padding: 2px; margin-bottom: 5px;"><b>Target applications</b></div> <ul style="list-style-type: none"> <li>Welding</li> <li>Charger</li> </ul>	<div style="background-color: #eee; padding: 2px; margin-bottom: 5px;"><b>Schematic</b></div> 
<div style="background-color: #eee; padding: 2px; margin-bottom: 5px;"><b>Types</b></div> <ul style="list-style-type: none"> <li>10-FY07ZAA015SM-L512B28</li> </ul>	

## Maximum Ratings

$T_j = 25^\circ\text{C}$ , unless otherwise specified

Parameter	Symbol	Conditions	Value	Unit
<b>Rectifier Diode</b>				
Peak Repetitive Reverse Voltage	$V_{RRM}$		1600	V
Continuous (direct) forward current	$I_F$	$T_j = T_{jmax}$ $T_h = 80^\circ\text{C}$	48	A
Surge (non-repetitive) forward current	$I_{FSM}$	50 Hz Single Half Sine Wave	270	A
Surge current capability	$I^2t$	$t_p = 10$ ms 50 Hz sine $T_j = 150^\circ\text{C}$	370	$\text{A}^2\text{s}$
Total power dissipation	$P_{tot}$	$T_j = T_{jmax}$ $T_h = 80^\circ\text{C}$	60	W
Maximum Junction Temperature	$T_{jmax}$		150	$^\circ\text{C}$



Vincotech

Parameter	Symbol	Condition	Value	Unit
<b>PFC Switch</b>				
Collector-emitter voltage	$V_{CES}$		650	V
Collector current	$I_C$	$T_j = T_{jmax}$ $T_s = 80^\circ\text{C}$	21	A
Repetitive peak collector current	$I_{CRM}$	$t_p$ limited by $T_{jmax}$	45	A
Turn off safe operating area		$T_j \leq 150^\circ\text{C}$ , $V_{CE} \leq 650\text{ V}$	45	A
Total power dissipation	$P_{tot}$	$T_j = T_{jmax}$ $T_s = 80^\circ\text{C}$	44	W
Gate-emitter voltage	$V_{GES}$		$\pm 20$	V
Maximum Junction Temperature	$T_{jmax}$		175	$^\circ\text{C}$

Parameter	Symbol	Conditions	Value	Unit
<b>PFC Diode</b>				
Peak Repetitive Reverse Voltage	$V_{RRM}$		650	V
Continuous (direct) forward current	$I_F$	$T_j = T_{jmax}$ $T_h = 80^\circ\text{C}$	20	A
Total power dissipation	$P_{tot}$	$T_j = T_{jmax}$ $T_h = 80^\circ\text{C}$	16	W
Maximum Junction Temperature	$T_{jmax}$		175	$^\circ\text{C}$

Parameter	Symbol	Conditions	Value	Unit
<b>C. T. Protection Diode</b>				
Peak Repetitive Reverse Voltage	$V_{RRM}$		650	V
DC forward current	$I_F$	$T_j = T_{jmax}$ $T_h = 80^\circ\text{C}$	17	A
Repetitive peak forward current	$I_{FRM}$		20	A
Power dissipation	$P_{tot}$	$T_j = T_{jmax}$ $T_h = 80^\circ\text{C}$	33	W
Maximum Junction Temperature	$T_{jmax}$		175	$^\circ\text{C}$



Vincotech

Parameter	Symbol	Condition	Value	Unit
<b>H-Bridge Switc Lo/Hi Side</b>				
Collector-emitter voltage	$V_{CES}$		650	V
Collector current	$I_C$	$T_j = T_{jmax}$ $T_s = 80^\circ C$	21	A
Repetitive peak collector current	$I_{CRM}$	$t_p$ limited by $T_{jmax}$	45	A
Turn off safe operating area		$T_j \leq 150^\circ C, V_{CE} \leq 650 V$	45	A
Total power dissipation	$P_{tot}$	$T_j = T_{jmax}$ $T_s = 80^\circ C$	44	W
Gate-emitter voltage	$V_{GES}$		$\pm 20$	V
Maximum Junction Temperature	$T_{jmax}$		175	$^\circ C$

Parameter	Symbol	Conditions	Value	Unit
<b>H-Bridge Diode Lo/Hi Side</b>				
Peak Repetitive Reverse Voltage	$V_{RRM}$		650	V
Continuous (direct) forward current	$I_F$	$T_j = T_{jmax}$ $T_h = 80^\circ C$	14	A
Repetitive peak forward current	$I_{FRM}$		20	A
Total power dissipation	$P_{tot}$	$T_j = T_{jmax}$ $T_h = 80^\circ C$	29	W
Maximum Junction Temperature	$T_{jmax}$		175	$^\circ C$



Vincotech

Parameter	Symbol	Conditions	Value	Unit
<b>DC Capacitor</b>				
Maximum DC voltage	$V_{MAX}$		630	V
Operation Temperature	$T_{op}$		-55...+125	°C

Parameter	Symbol	Conditions	Value	Unit
<b>Module Properties</b>				
<b>Thermal Properties</b>				
Storage temperature	$T_{stg}$		-40...+125	°C
Operation Junction Temperature	$T_{jop}$		-40...+( $T_{jmax} - 25$ )	°C

<b>Isolation Properties</b>					
Isolation voltage	$V_{isol}$	DC voltage	$t_p=2s$	4000	V
Creepage distance				min 12,7	mm
Clearance				7,74	mm
Comparative Tracking Index	CTI			>200	



Vincotech

## Characteristic Values

### Rectifier Diode

Parameter	Symbol	Conditions					Value			Unit
				$V_r$ [V]	$I_F$ [A]	$T_j$ [°C]	Min	Typ	Max	
<b>Static</b>										
Forward voltage	$V_F$				13	25 125 150		0,99 0,9	1,21	V
Reverse leakage current	$I_r$			1600		25 150			50 1100	μA

### Thermal

Thermal resistance junction to sink	$R_{th(j-s)}$	phase-change material $\lambda=3,4W/mK$						1,16		K/W
-------------------------------------	---------------	--	--	--	--	--	--	------	--	-----

### PFC Switch

Parameter	Symbol	Conditions					Value			Unit
			$V_{GE}$ [V]	$V_{CE}$ [V]	$I_C$ [A]	$T_j$ [°C]	Min	Typ	Max	
<b>Static</b>										
Gate-emitter threshold voltage	$V_{GE(th)}$	$V_{GE}=V_{CE}$			0,0004	25 125	3,3	4	4,7	V
Collector-emitter saturation voltage	$V_{CEsat}$		15		15	25 125 150		1,64 1,77 1,80	2,22	V
Collector-emitter cut-off current	$I_{CES}$		0	650		25 125			40	μA
Gate-emitter leakage current	$I_{GES}$		20	0		25 125			120	nA
Internal gate resistance	$r_g$							none		Ω
Input capacitance	$C_{ies}$							930		pF
Output capacitance	$C_{oes}$	f=1MHz	0	25		25		24		
Reverse transfer capacitance	$C_{res}$							4		
Gate charge	$Q_g$		15	520	15	25		38		nC

### Thermal

Thermal resistance junction to sink	$R_{th(j-s)}$	phase-change material $\lambda=3,4W/mK$						2,14		K/W
-------------------------------------	---------------	--	--	--	--	--	--	------	--	-----



Vincotech

**PFC Diode**

Parameter	Symbol	Conditions					Value			Unit
		$V_r$ [V]	$I_F$ [A]	$T_j$ [°C]	Min	Typ	Max			

**Static**

Forward voltage	$V_F$				15	25 125 150		2,48 1,73	2,93	V
Reverse leakage current	$I_r$			650		25 150			10	μA

**Thermal**

Thermal resistance junction to sink	$R_{th(j-s)}$	phase-change material $\lambda=3,4W/mK$						1,65		K/W
-------------------------------------	---------------	--	--	--	--	--	--	------	--	-----

**C. T. Protection Diode**

Parameter	Symbol	Conditions					Value			Unit
		$V_r$ [V]	$I_F$ [A]	$T_j$ [°C]	Min	Typ	Max			

**Static**

Forward voltage	$V_F$				10	25 125 150		1,67 1,56	1,87	V
Reverse leakage current	$I_{rm}$			650		25 150			0,14	μA

**Thermal**

Thermal resistance junction to sink	$R_{th(j-s)}$	phase-change material $\lambda=3,4W/mK$						2,87		K/W
-------------------------------------	---------------	--	--	--	--	--	--	------	--	-----



Vincotech

### H-Bridge Switch Lo/Hi Side

Parameter	Symbol	Conditions					Value			Unit
		$V_{GE}$ [V]	$V_{CE}$ [V]	$I_C$ [A]	$T_j$ [°C]	Min	Typ	Max		

#### Static

Gate-emitter threshold voltage	$V_{GE(th)}$	$V_{GE}=V_{CE}$			0,0004	25 125	3,3	4	4,7	V
Collector-emitter saturation voltage	$V_{CEsat}$		15		15	25 125 150		1,64 1,77 1,80	2,22	V
Collector-emitter cut-off current	$I_{CES}$		0	650		25 125			40	µA
Gate-emitter leakage current	$I_{GES}$		20	0		25 125			120	nA
Internal gate resistance	$r_g$							none		Ω
Input capacitance	$C_{ies}$							930		pF
Output capacitance	$C_{oes}$	f=1MHz	0	25		25		24		
Reverse transfer capacitance	$C_{res}$							4		
Gate charge	$Q_g$		15	520	15	25		38		nC

#### Thermal

Thermal resistance junction to sink	$R_{th(j-s)}$	Phase-Change Material $\lambda=3,4W/mK$						2,14		K/W
-------------------------------------	---------------	--	--	--	--	--	--	------	--	-----

### H-Bridge Diode Lo/Hi Side

Parameter	Symbol	Conditions					Value			Unit
		$V_r$ [V]	$I_F$ [A]	$T_j$ [°C]	Min	Typ	Max			

#### Static

Forward voltage	$V_F$				10	25 125 150		1,60	2,22	V
Reverse leakage current	$I_r$			650		25 150			0,64	µA

#### Thermal

Thermal resistance junction to sink	$R_{th(j-s)}$	phase-change material $\lambda=3,4W/mK$						3,27		K/W
-------------------------------------	---------------	--	--	--	--	--	--	------	--	-----



Vincotech

## DC Capacitor

Parameter	Symbol	Conditions				$T_j$ [°C]	Value			Unit
							Min	Typ	Max	
Capacitance	$C$						100			nF
Tolerance							-10		+10	%

## Thermistor

Parameter	Symbol	Conditions				$T_j$ [°C]	Value			Unit
		$V_{GE}$ [V]	$V_{CE}$ [V]	$I_C$ [A]			Min	Typ	Max	
Rated resistance	$R$					25		21,5		k $\Omega$
Deviation of R100	$\Delta_{R/R}$	R100=1486 $\Omega$				100	-4,5		+4,5	%
Power dissipation	$P$					25		210		mW
Power dissipation constant						25		3,5		mW/K
B-value	$B_{(25/50)}$					25		3884		K
B-value	$B_{(25/100)}$					25		3964		K
Vincotech NTC Reference									F	





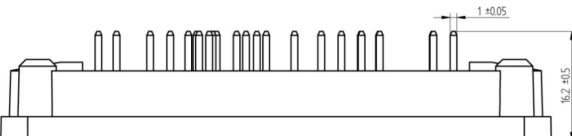
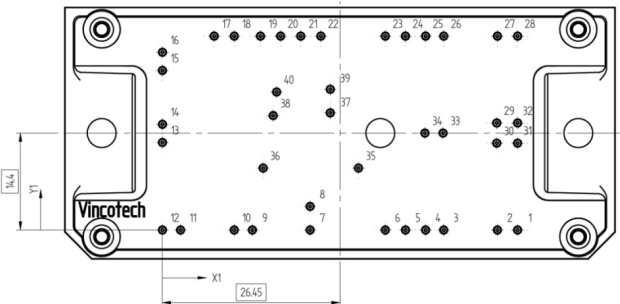
# 10-FY07ZAA015SM-L512B28

target datasheet

Vincotech

Ordering Code & Marking							
Version	Ordering Code	in DataMatrix as	in packaging barcode as				
without thermal paste 12mm housing	10-FY07ZAA015SM-L512B28	L512B28	L512B28				
NN-NNNNNNNNNNNNNN NNNNNNNN WWYY UL Vinco LLLLL SSSS		<b>Text</b>	<b>Name</b>	<b>Date code</b>	<b>UL &amp; Vinco</b>	<b>Lot</b>	<b>Serial</b>
			NN-NNNNNNNNNNNNNN-NNNNNNNN	WWYY	UL Vinco	LLLLL	SSSS
		<b>Datamatrix</b>	<b>Type&amp;Ver</b>	<b>Lot number</b>	<b>Serial</b>	<b>Date code</b>	
		TTTTTTTV	LLLLL	SSSS	WWYY		

Outline							
Pin table [mm]				Pin table [mm]			
Pin	X	Y	Function	Pin	X	Y	Function
1	52,9	0	G13	30	49,8	12,9	DC-Inv2
2	49,9	0	S13	31	52,9	12,9	DC-Inv2
3	41,9	0	Ph2	32	52,9	15,9	DC-Inv1
4	39,2	0	Ph2	33	41,8	14,4	DC+Inv
5	36,2	0	S14	34	39,1	14,4	DC+Inv
6	33,2	0	G14	35	29,2	9,2	PFC2-
7	22	0	PFC+	36	15	9,2	PFC1-
8	22	3,5	PFC+	37	25	17,4	PFC2in2
9	13,4	0	DC+Rect	38	16,5	17	PFC1in2
10	10,7	0	DC+Rect	39	25	20,9	PFC2in1
11	2,7	0	DC-Rect	40	17	20,5	PFC1in1
12	0	0	DC-Rect				
13	0	13	ACIn1				
14	0	15,7	ACIn1				
15	0	23,7	ACIn2				
16	0	26,4	ACIn2				
17	7,7	28,8	Therm1				
18	10,7	28,8	Therm2				
19	14,6	28,8	S25				
20	17,6	28,8	G25				
21	20,6	28,8	G27				
22	23,6	28,8	S27				
23	33,2	28,8	G12				
24	36,2	28,8	S12				
25	39,2	28,8	Ph1				
26	41,9	28,8	Ph1				
27	49,9	28,8	S11				
28	52,9	28,8	G11				
29	49,8	15,9	DC-Inv1				

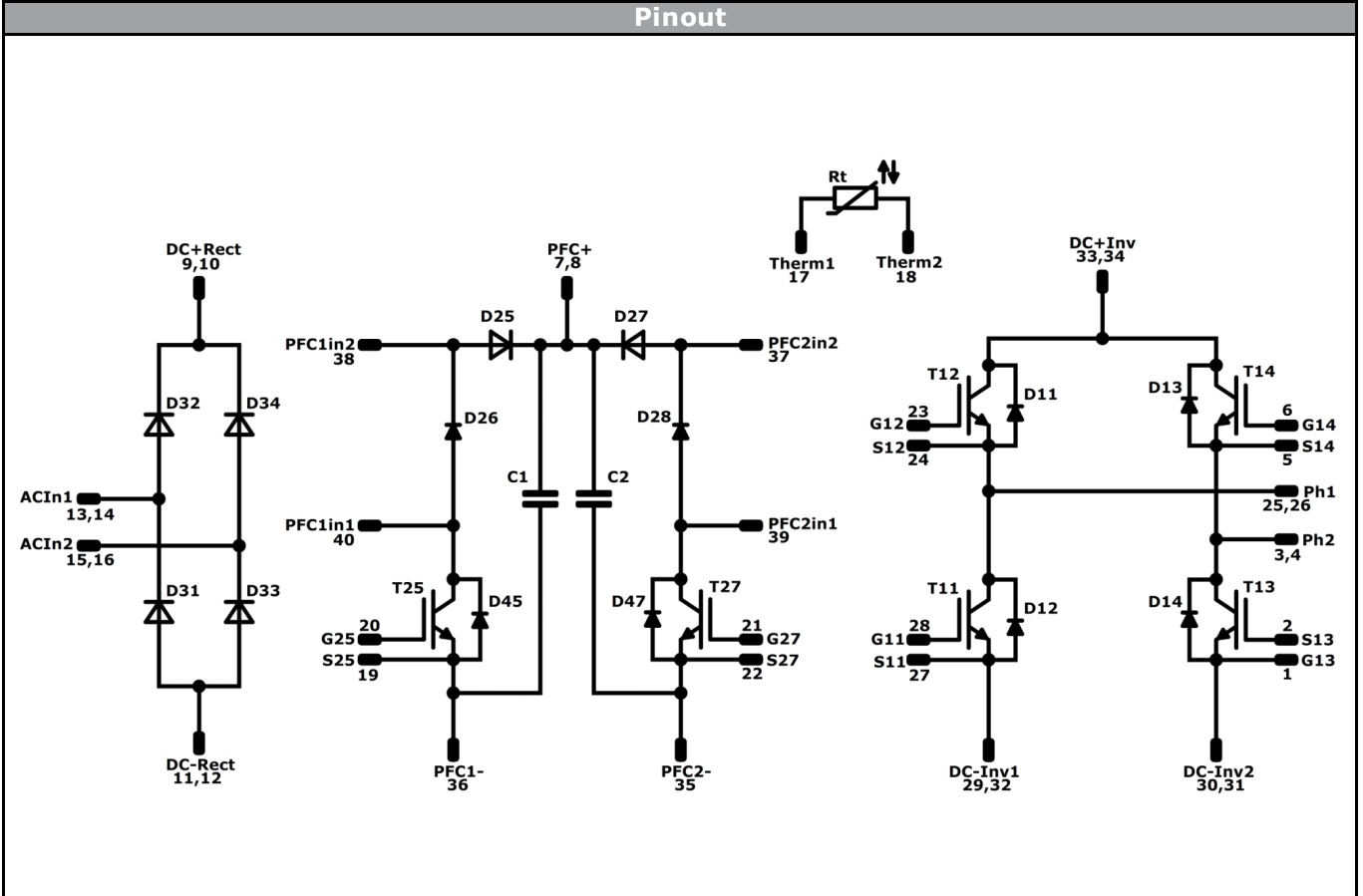



Tolerance of pinpositions: ±0.5mm at the end of pins.  
Dimension of coordinate axis is only offset without tolerance



Vincotech

**Pinout**



**Identification**

ID	Component	Voltage	Current	Function	Comment
T25,T27	IGBT	650V	15A	PFC Switch	
D25, D27	FWD	650V	15A	PFC Diode	
D26,D28	FWD	650V	10A	C. T. Protection Diode	
T11, T13 / T12, T14	IGBT	650V	15A	H-Bridge Switch Lo/Hi Side	
D12, D14, / D11, D13	FWD	650V	10A	H-Bridge Diode Lo/Hi Side	
D31, D32, D33, D34	Rectifier	1600V	35A	Rectifier Diode	
C1,C2	Capacitor	630V	-	DC Capacitor	
NTC	NTC	-	-	Thermistor	



Vincotech

Packaging instruction			
Standard packaging quantity (SPQ)	100	>SPQ	Standard
		<SPQ	Sample

Handling instruction
Handling instructions for <i>flow</i> 1 packages see vincotech.com website.

Package data
Package data for <i>flow</i> 1 packages see vincotech.com website.

Document No.:	Date:	Modification:	Pages
10-FY07ZAA015SM-L512B28-T1-14	17 Aug. 2015		

Product status definition		
Datasheet Status	Product Status	Definition
Target	Formative or In Design	This datasheet contains the design specifications for product development. Specifications may change in any manner without notice. The data contained is exclusively intended for technically trained staff.

**DISCLAIMER**

The information, specifications, procedures, methods and recommendations herein (together "information") are presented by Vincotech to reader in good faith, are believed to be accurate and reliable, but may well be incomplete and/or not applicable to all conditions or situations that may exist or occur. Vincotech reserves the right to make any changes without further notice to any products to improve reliability, function or design. No representation, guarantee or warranty is made to reader as to the accuracy, reliability or completeness of said information or that the application or use of any of the same will avoid hazards, accidents, losses, damages or injury of any kind to persons or property or that the same will not infringe third parties rights or give desired results. It is reader's sole responsibility to test and determine the suitability of the information and the product for reader's intended use.

**LIFE SUPPORT POLICY**

Vincotech products are not authorised for use as critical components in life support devices or systems without the express written approval of Vincotech.

As used herein:

1. Life support devices or systems are devices or systems which, (a) are intended for surgical implant into the body, or (b) support or sustain life, or (c) whose failure to perform when properly used in accordance with instructions for use provided in labelling can be reasonably expected to result in significant injury to the user.
2. A critical component is any component of a life support device or system whose failure to perform can be reasonably expected to cause the failure of the life support device or system, or to affect its safety or effectiveness.