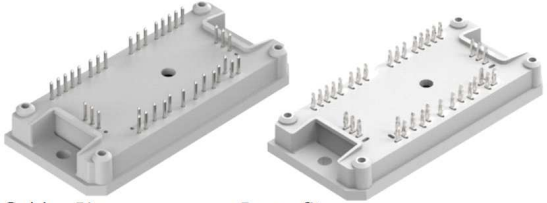
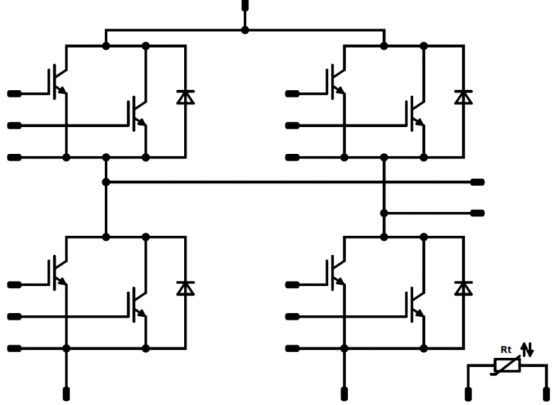




Vincotech

<i>flow</i> PACK 1 H	1200 V / 80 A
<div style="border: 1px solid black; padding: 5px; margin-bottom: 5px;"> <p style="text-align: center; background-color: #ccc; margin: 0;">Features</p> <ul style="list-style-type: none"> High speed IGBT Fast, soft reverse Diode Open emitter topology Integrated capacitors Integrated thermistor </div> <div style="border: 1px solid black; padding: 5px; margin-bottom: 5px;"> <p style="text-align: center; background-color: #ccc; margin: 0;">Target applications</p> <ul style="list-style-type: none"> Charger SMPS Solar Welding ESS </div> <div style="border: 1px solid black; padding: 5px;"> <p style="text-align: center; background-color: #ccc; margin: 0;">Types</p> <ul style="list-style-type: none"> 10-PY124PA080FV-L589F88Y 10-FY124PA080FV-L589F88 </div>	<div style="border: 1px solid black; padding: 5px; margin-bottom: 5px;"> <p style="text-align: center; background-color: #ccc; margin: 0;"><i>flow</i> 1 12mm housing</p>  <p style="display: flex; justify-content: space-around; margin: 0;"> Solder Pin Press-fit </p> </div> <div style="border: 1px solid black; padding: 5px;"> <p style="text-align: center; background-color: #ccc; margin: 0;">Schematic</p>  </div>

Maximum Ratings

$T_j = 25\text{ °C}$, unless otherwise specified

Parameter	Symbol	Condition	Value	Unit
H-Bridge Switch				
Collector-emitter voltage	V_{CES}		1200	V
Collector current	I_C	$T_j = T_{jmax}$ $T_s = 80\text{ °C}$	80	A
Repetitive peak collector current	I_{CRM}	t_p limited by T_{jmax}	320	A
Total power dissipation	P_{tot}	$T_j = T_{jmax}$ $T_s = 80\text{ °C}$	190	W
Gate-emitter voltage	V_{GES}		±20	V
Maximum Junction Temperature	T_{jmax}		175	°C



Vincotech

10-PY124PA080FV-L589F88Y
10-FY124PA080FV-L589F88
target datasheet

Maximum Ratings

$T_j = 25\text{ °C}$, unless otherwise specified

Parameter	Symbol	Condition	Value	Unit
H-Bridge Diode				
Peak Repetitive Reverse Voltage	V_{RRM}		1200	V
Continuous (direct) forward current	I_F	$T_j = T_{jmax}$ $T_s = 80\text{°C}$	47	A
Total power dissipation	P_{tot}	$T_j = T_{jmax}$ $T_s = 80\text{°C}$	101	W
Maximum Junction Temperature	T_{jmax}		175	°C

Module Properties

Thermal Properties

Storage temperature	T_{stg}		-40...+125	°C
Operation temperature under switching condition	T_{jop}		-40...+($T_{jmax} - 25$)	°C

Isolation Properties

Isolation voltage	V_{isol}	DC Voltage $t_p = 2s$	4000	V
Creepage distance			min. 12,7	mm
Clearance			7,92	mm
Comparative Tracking Index	CTI		> 200	



Vincotech

10-PY124PA080FV-L589F88Y
10-FY124PA080FV-L589F88
 target datasheet

Characteristic Values

Parameter	Symbol	Conditions					Value			Unit
		V_{GE} [V] V_{GS} [V]	V_{CE} [V] V_{GS} [V] V_r [V]	I_C [A] I_D [A] I_F [A]	T_j [°C]	Min	Typ	Max		

H-Bridge Switch

Static

Gate-emitter threshold voltage	$V_{GE(th)}$	$V_{GE} = V_{CE}$			0,08	25 125	5	6,8	7,3	V
Collector-emitter saturation voltage	V_{CEsat}		15		80	25 125	1,5	1,80	2,5	V
Collector-emitter cut-off current	I_{CES}		0	1200		25 125			100	μA
Gate-emitter leakage current	I_{GES}		20	0		25 125			500	nA
Internal gate resistance	r_g							none		Ω
Input capacitance	C_{ies}							8600		pF
Output capacitance	C_{oes}	f=1000 KHz	0	30		25		360		
Reverse transfer capacitance	C_{res}							200		
Gate charge	Q_g		15	600	80	25		740		nC

Thermal

Thermal resistance junction to sink	$R_{th(j-s)}$	phase-change material $\lambda=3,4W/mK$						0,50		K/W
-------------------------------------	---------------	--	--	--	--	--	--	------	--	-----

H-Bridge Diode

Static

Forward voltage	V_F				50	25 150		2,19 2,21	2,54	V
Reverse leakage current	I_r			1200		25 150			60 8800	μA

Thermal

Thermal resistance junction to sink	$R_{th(j-s)}$	phase-change material $\lambda = 3,4 W/mK$						0,94		K/W
-------------------------------------	---------------	---	--	--	--	--	--	------	--	-----



Vincotech

10-PY124PA080FV-L589F88Y
10-FY124PA080FV-L589F88
 target datasheet

Characteristic Values

Parameter	Symbol	Conditions					Value			Unit	
		V_{GE} [V]	V_{GS} [V]	V_{CE} [V]	V_{GS} [V]	V_r [V]	I_C [A]	I_D [A]	I_F [A]		T_j [°C]

Thermistor

Rated resistance	R					25		22		kΩ
Deviation of R100	$\Delta_{R/R}$	R100=1484 Ω				100	-5		5	%
Power dissipation	P					25		5		mW
Power dissipation constant						25		1,5		mW/K
B-value	$B_{(25/50)}$	Tol. ±1%				25		3962		K
B-value	$B_{(25/100)}$	Tol. ±1%				25		4000		K
Vincotech NTC Reference									I	



10-PY124PA080FV-L589F88Y
10-FY124PA080FV-L589F88
 target datasheet

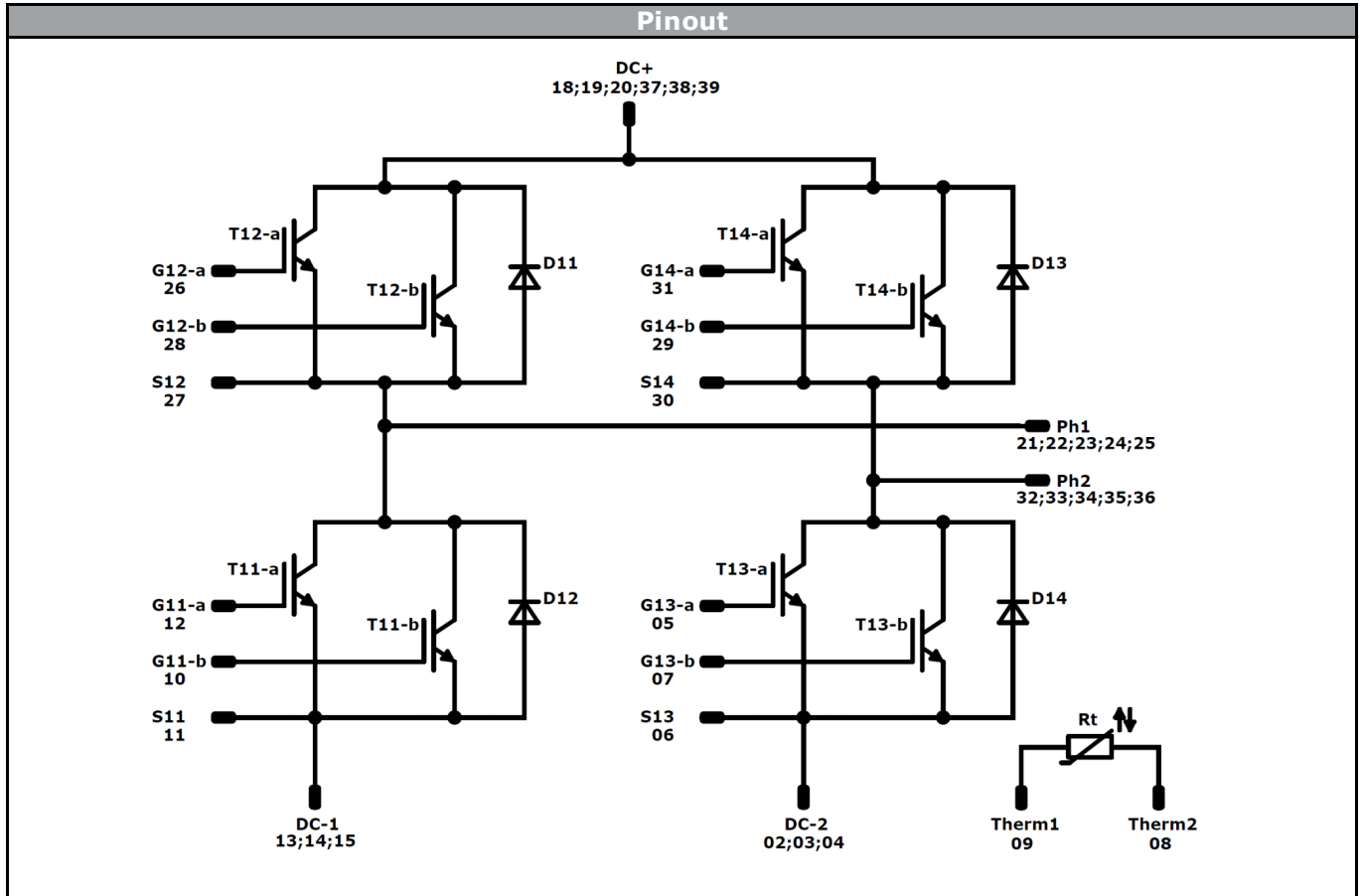
Vincotech

Ordering Code & Marking						
Version			Ordering Code			
without thermal paste 12mm Press-fit housing			10-PY124PA080FV-L589F88Y			
without thermal paste 12mm Solder Pin housing			10-FY124PA080FV-L589F88			
NN-NNNNNNNN NNNN-TTTTTVV Vinco LLLLL WWYY SSSS UL						
Text	Name		Type&Ver	Date code	Vinco&Lot	Serial&UL
	NN-NNNNNNNNNNNNNN		TTTTTTVV	WWYY	Vinco LLLLL	SSSS UL
Datamatrix	Type&Ver	Lot number	Serial	Date code		
	TTTTTTVV	LLLLL	SSSS	WWYY		

Outline							
Pin table [mm]							
Pin	X	Y	Function				
1			Not assembled				
2	46,3	0	DC-2				
3	43,6	2,7	DC-2				
4	43,6	0	DC-2				
5	39,2	1	G13-a				
6	36,2	0	S13				
7	33,2	1	G13-b				
8	28,8	0	Therm2				
9	23,8	0	Therm1				
10	19,4	1	G11-b				
11	16,4	0	S11				
12	13,4	1	G11-a				
13	9	2,7	DC-1				
14	9	0	DC-1				
15			Not assembled				
16	6,3	0	DC-1				
17			Not assembled				
Pin table [mm]							
Pin	X	Y	Function				
18	0	9,5	DC+				
19	0	12,2	DC+				
20	0	14,9	DC+				
21	0	28,6	Ph1				
22	2,7	28,6	Ph1				
23	5,4	28,6	Ph1				
24	8,1	28,6	Ph1				
25	10,8	28,6	Ph1				
26	15,25	28,6	G12-a				
27	18,25	28,6	S12				
28	21,25	28,6	G12-b				
29	31,35	28,6	G14-b				
30	34,35	28,6	S14				
31	37,35	28,6	G14-a				
32	41,8	28,6	Ph2				
33	44,5	28,6	Ph2				
34	47,2	28,6	Ph2				
35	49,9	28,6	Ph2				
36	52,6	28,6	Ph2				
37	52,6	14,9	DC+				
38	52,6	12,2	DC+				
39	52,6	9,5	DC+				
40			Not assembled				



Vincotech



Identification

ID	Component	Voltage	Current	Function	Comment
T11a, T11b, T12a, T12b, T13a, T13b, T14a, T14b	IGBT	1200V	2x40A	H-Bridge Switch	
D11, D12, D13, D14	FWD	1200V	50A	H-Bridge Diode	
Rt	NTC	-	-	Thermistor	



Vincotech

10-PY124PA080FV-L589F88Y
10-FY124PA080FV-L589F88
target datasheet

Packaging instruction			
Standard packaging quantity (SPQ)	100	>SPQ	Standard
		<SPQ	Sample

Handling instruction
Handling instructions for <i>flow</i> 1 packages see vincotech.com website.

Package data
Package data for <i>flow</i> 1 packages see vincotech.com website.

Document No.:	Date:	Modification:	Pages
10-PY124PA080FV-L589F88Y -T2-14	10 Feb. 2016		

Product status definition		
Datasheet Status	Product Status	Definition
Target	Formative or In Design	This datasheet contains the design specifications for product development. Specifications may change in any manner without notice. The data contained is exclusively intended for technically trained staff.

DISCLAIMER

The information, specifications, procedures, methods and recommendations herein (together "information") are presented by Vincotech to reader in good faith, are believed to be accurate and reliable, but may well be incomplete and/or not applicable to all conditions or situations that may exist or occur. Vincotech reserves the right to make any changes without further notice to any products to improve reliability, function or design. No representation, guarantee or warranty is made to reader as to the accuracy, reliability or completeness of said information or that the application or use of any of the same will avoid hazards, accidents, losses, damages or injury of any kind to persons or property or that the same will not infringe third parties rights or give desired results. It is reader's sole responsibility to test and determine the suitability of the information and the product for reader's intended use.

LIFE SUPPORT POLICY

Vincotech products are not authorised for use as critical components in life support devices or systems without the express written approval of Vincotech.

As used herein:

1. Life support devices or systems are devices or systems which, (a) are intended for surgical implant into the body, or (b) support or sustain life, or (c) whose failure to perform when properly used in accordance with instructions for use provided in labelling can be reasonably expected to result in significant injury to the user.
2. A critical component is any component of a life support device or system whose failure to perform can be reasonably expected to cause the failure of the life support device or system, or to affect its safety or effectiveness.