



Vincotech



新型基于碳化硅的功率模块

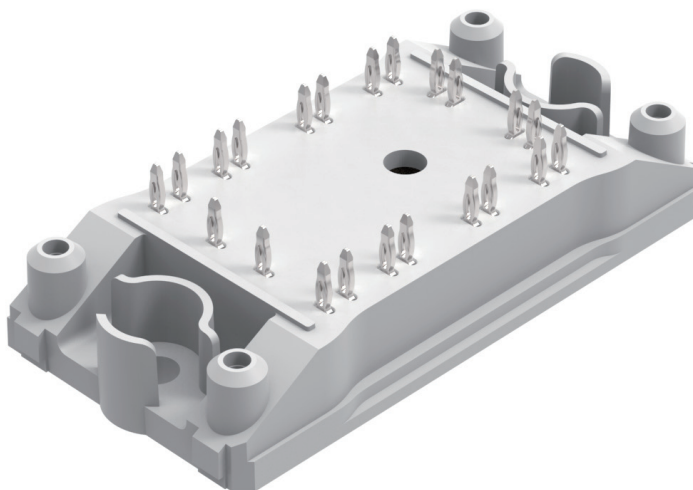
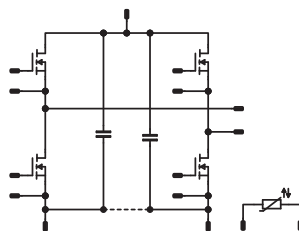
EMPOWERING YOUR IDEAS

---

## FASTPACK 0 SIC LAUNCH PACK

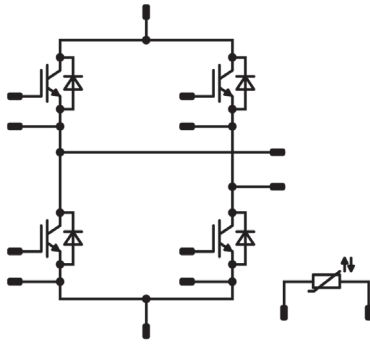
# 用于充电机和 开关电源应用的 H桥模块

- 特点:
  - 高频SiC MOS
  - 开关频率高达400kHz
  - 适用于硬开关/软开关
  - 模块内部集成滤波电容
  - 增加功率密度
  - NTC
- 封装:
  - flow $\varnothing$  12mm 无卡扣压接引脚



# 产品组合 已上市

## H-BRIDGE



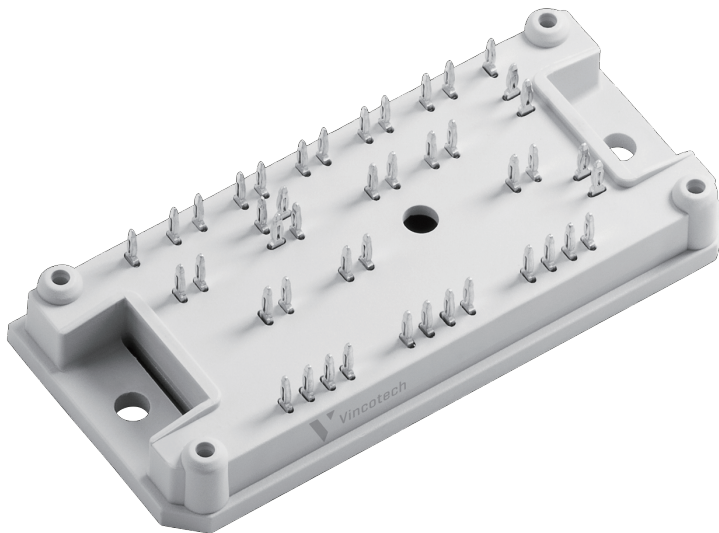
产品型号	拓扑	产品线	输入电压 (V)	输入电流 (A)	主芯片技术	封装系列
10-PC094PB065ME01-L637F06Y	H-Bridge	fastPACK 0 SiC	900	35	SiC MOSFET	flow 0
10-PC094PB035ME02-L629F36Y	H-Bridge	fastPACK 0 SiC	900	70	SiC MOSFET	flow 0
10-PC094PB017ME02-L620F36Y	H-Bridge	fastPACK 0 SiC	900	140	SiC MOSFET	flow 0
10-PC124PA040MR-L638F18Y	H-Bridge	fastPACK 0 SiC	1200	50	SiC MOSFET	flow 0

---

# *flow*PACK 1 SiC LAUNCH PACK

## 用于充电机与开关电源应用的 的六管模块

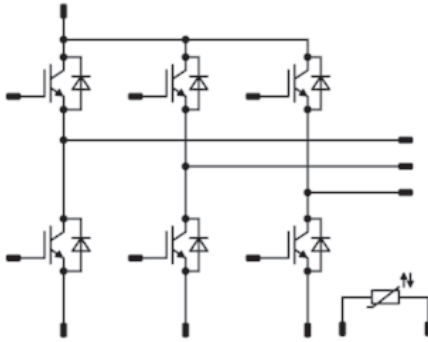
- 特点:
  - 来自Wolfspeed的900V, 65mR SiC MOS
  - 开关频率高达400kHz
  - 适用于硬开关/软开关
  - 增加功率密度
  - NTC
- 封装:
  - flow1 12mm 压接引脚
  - 根据要求提供脉冲编码调制



# 产品组合 已上市

## SIXPACK

### 三相逆变器



产品型号	拓扑	产品线	输入电压 (V)	输入电流 (A)	主芯片技术	封装系列
10-PY096PA035ME-L224F18Y	Sixpack	flowPACK 1 SiC	900	70	SiC MOSFET	flow 1
10-PZ126PA080ME-M909F18Y	Sixpack	flowPACK 0 SiC	1200	25	SiC MOSFET	flow 0
10-PZ126PA080MR-M909F28Y	Sixpack	flowPACK 0 SiC	1200	25	SiC MOSFET	flow 0
10-PY126PA020ME-L227F18Y	Sixpack	flowPACK 1 SiC	1200	100	SiC MOSFET	flow 1
10-PY126PA020MR-L227F28Y	Sixpack	flowPACK 1 SiC	1200	100	SiC MOSFET	flow 1

# 全SiC器件



Vincotech

# Booster模块

# 实现超高频率



两款全SiC器件Booster模块，实现超高开关频率：

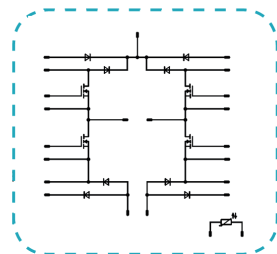
> *flowBOOST 1 Symmetric SiC*

主要特性：

适用于1500Vdc应用的对称式booster模块900 V / 65 m $\Omega$

型号：

10-FY09S2A065ME-L869L08



> *flow3xB00ST 2 SiC*

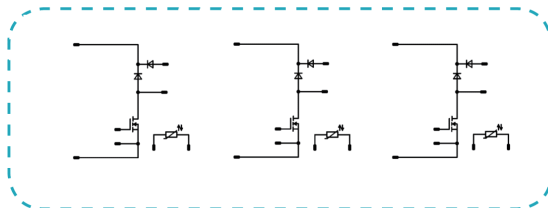
主要特性：

3路booster 模块超低电感封装

1200 V / 40 m $\Omega$

型号：

30-FT123BA040ME02-L878L28



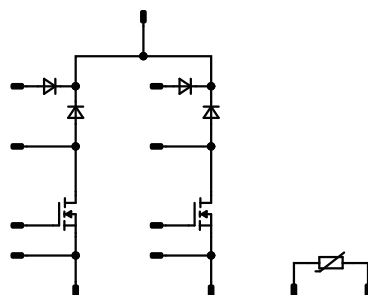
[www.vincotech.com](http://www.vincotech.com)

EMPOWERING YOUR IDEAS

# 用于光伏与 开关电源应用的 BOOSTER模块



- 特点：
  - 高效双路升压
  - 超快开关频率
  - 低感应布局
  - 1200V SiC MOSFET和1200V SiC二极管



产品型号	拓扑	产品线	输入电压 (V)	输入电流 (A)	主芯片技术	封装系列
10-PZ123BA080ME-M909L18Y	Booster	flow BOOST 1 dual SiC	1200	25	SiC MOSFET	flow 0
10-PZ123BA080MR-M909L28Y	Booster	flow BOOST 1 dual SiC	1200	25	SiC MOSFET	flow 0
V23990-P629-L81-PM	Booster	flow 3xBOOST 0 SiC	1200	25	SiC MOSFET	flow 0
V23990-P629-L83-PM	Booster	flow 3xBOOST 0 SiC	1200	25	SiC MOSFET	flow 0
10-PZ123BA040MR01-M909L68Y	Booster	flow 3xBOOST 0 SiC	1200	50	SiC MOSFET	flow 0
30-FT123BA040MR-L878L08	Booster	flow BOOST 0 SiC	1200	50	SiC MOSFET	flow 2
10-FY12B2A040MR-L387L68	Booster	flow BOOST 0 SiC	1200	50	SiC MOSFET	flow 1
10-FY12B2A040MR02-L387L63	Booster	flow 3xBOOST 2 SiC	1200	50	SiC MOSFET	flow 1
10-PZ12B2A040ME01-M330L63Y	Booster	flow BOOST 0 SiC	1200	50	SiC MOSFET	flow 0
10-PZ12B2A040MR01-M330L68Y	Booster	flow BOOST 0 SiC	1200	50	SiC MOSFET	flow 0
10-FY09S2A065ME-L869L08	Booster	flow BOOST 1 Symmetric SiC	2*900	70	SiC MOSFET	flow 1



Vincotech 官方微信二维码



Vincotech 新浪微博二维码

[www.vincotech.com](http://www.vincotech.com)





Vincotech



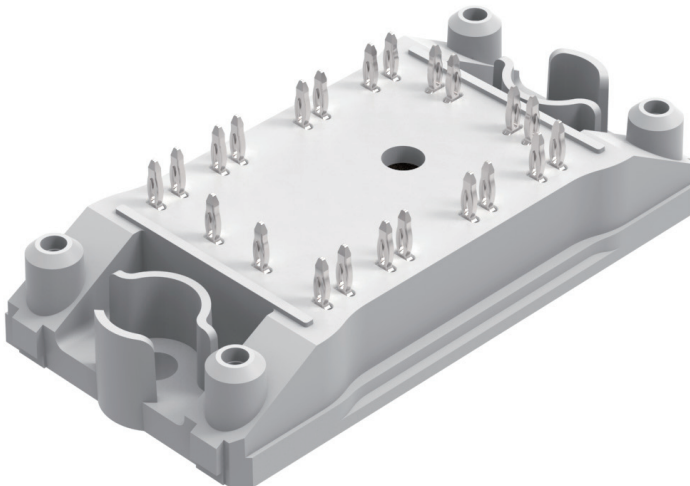
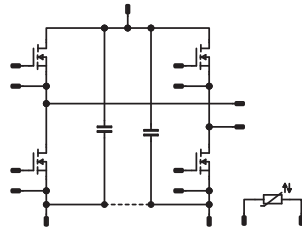
## SiC based Power Modules

EMPOWERING YOUR IDEAS

---

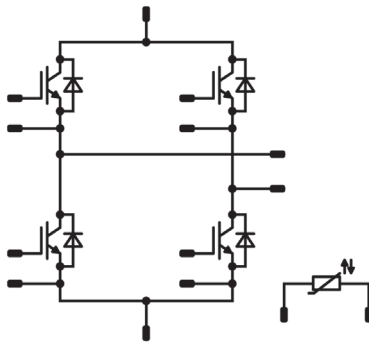
# FASTPACK Ø SIC LAUNCH PACK H-BRIDGE FOR CHARGER AND SMPS APPLICATIONS

- Features:
  - High frequency SiC MOS
  - fsw up to 400kHz
  - Suitable for hard switching/soft switching
  - Integrated capacitors
  - Increased power density
  - NTC
- Housing:
  - flow Ø 12mm no clips press-fit pins
  - PCM available on request



# ALREADY AVAILABLE PRODUCT PORTFOLIO

## H-BRIDGE

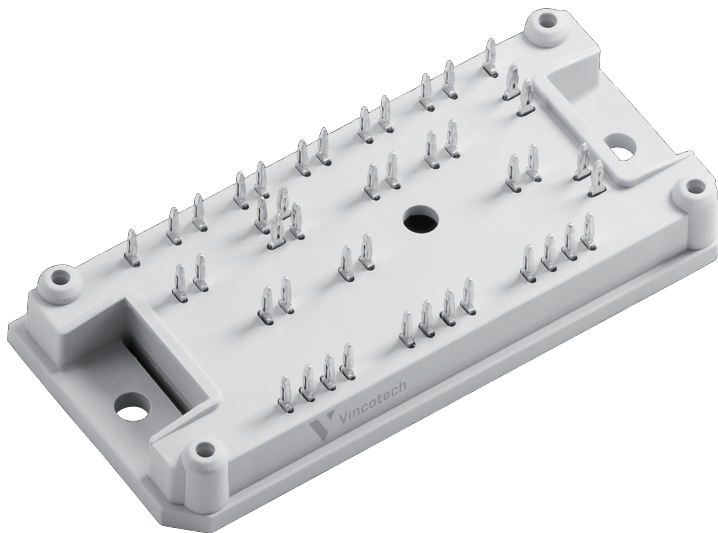


PART-NO	TOPOLOGY	PRODUCT LINE	VOLTAGE IN V	CURRENT IN A	MAIN CHIP TECHNOLOGY	HOUSING FAMILY
10-PC094PB065ME01-L637F06Y	H-Bridge	fastPACK 0 SiC	900	35	SiC MOSFET	flow 0
10-PC094PB035ME02-L629F36Y	H-Bridge	fastPACK 0 SiC	900	70	SiC MOSFET	flow 0
10-PC094PB017ME02-L620F36Y	H-Bridge	fastPACK 0 SiC	900	140	SiC MOSFET	flow 0
10-PC124PA040MR-L638F18Y	H-Bridge	fastPACK 0 SiC	1200	50	SiC MOSFET	flow 0

---

# *flow*PACK 1 SiC LAUNCH PACK SIXPACK FOR CHARGER AND SMPS APPLICATIONS

- Features:
  - 900V, 65mR SiC MOS from Wolfspeed
  - fsw up to 400kHz
  - Suitable for hard switching/soft switching
  - Increased power density
  - NTC
- Housing:
  - flow1 12mm press-fit pins
  - PCM available on request

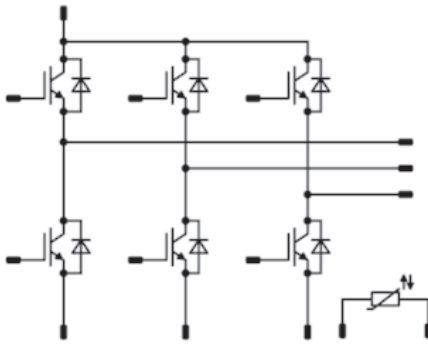


---

# ALREADY AVAILABLE PRODUCT PORTFOLIO

## SIXPACK

### THREE-PHASE INVERTER



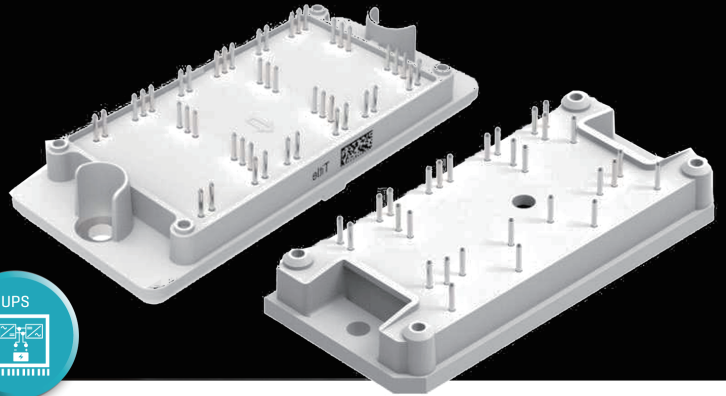
PART-NO	TOPOLOGY	PRODUCT LINE	VOLTAGE IN V	CURRENT IN A	MAIN CHIP TECHNOLOGY	HOUSING FAMILY
10-PY096PA035ME-L224F18Y	Sixpack	flowPACK 1 SiC	900	70	SiC MOSFET	flow 1
10-PZ126PA080ME-M909F18Y	Sixpack	flowPACK 0 SiC	1200	25	SiC MOSFET	flow 0
10-PZ126PA080MR-M909F28Y	Sixpack	flowPACK 0 SiC	1200	25	SiC MOSFET	flow 0
10-PY126PA020ME-L227F18Y	Sixpack	flowPACK 1 SiC	1200	100	SiC MOSFET	flow 1
10-PY126PA020MR-L227F28Y	Sixpack	flowPACK 1 SiC	1200	100	SiC MOSFET	flow 1

---



Vincotech

# FULL SiC BOOSTER POWER MODULES FOR ULTRA HIGH SPEED FREQUENCIES



Full SiC Booster Power Modules for ultra fast switching frequency:

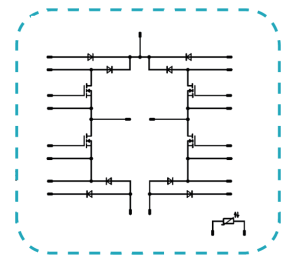
> *flowBOOST 1* Symmetric SiC

**Features:**

Symmetric Boost for 1500Vdc applications 900 V / 65 m $\Omega$

**Types:**

10-FY09S2A065ME-L869L08



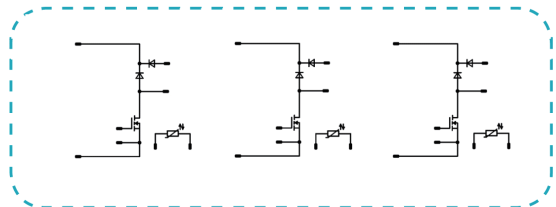
> *flow3xB00ST 2* SiC

**Features:**

Three-leg Booster module Low inductive package 1200 V / 40 m $\Omega$

**Types:**

30-FT123BA040ME02-L878L28



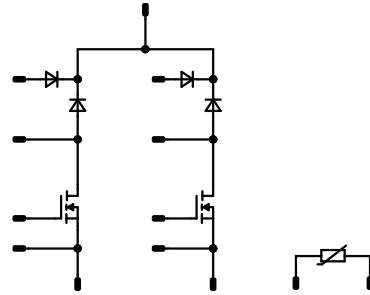
[www.vincotech.com](http://www.vincotech.com)

EMPOWERING YOUR IDEAS

# BOOSTER FOR SOLAR & SMPS APPLICATIONS



- Features:
  - High efficiency dual boost
  - Ultra fast switching frequency
  - Low Inductive Layout
  - 1200V SiC MOSFET and 1200V SiC diode



PART-NO	TOPOLOGY	PRODUCT LINE	VOLTAGE IN V	CURRENT IN A	MAIN CHIP TECHNOLOGY	HOUSING FAMILY
10-PZ123BA080ME-M909L18Y	Booster	flow BOOST 1 dual SiC	1200	25	SiC MOSFET	flow 0
10-PZ123BA080MR-M909L28Y	Booster	flow BOOST 1 dual SiC	1200	25	SiC MOSFET	flow 0
V23990-P629-L81-PM	Booster	flow 3xBOOST 0 SiC	1200	25	SiC MOSFET	flow 0
V23990-P629-L83-PM	Booster	flow 3xBOOST 0 SiC	1200	25	SiC MOSFET	flow 0
10-PZ123BA040MR01-M909L68Y	Booster	flow 3xBOOST 0 SiC	1200	50	SiC MOSFET	flow 0
30-FT123BA040MR-L878L08	Booster	flow BOOST 0 SiC	1200	50	SiC MOSFET	flow 2
10-FY12B2A040MR-L387L68	Booster	flow BOOST 0 SiC	1200	50	SiC MOSFET	flow 1
10-FY12B2A040MR02-L387L63	Booster	flow 3xBOOST 2 SiC	1200	50	SiC MOSFET	flow 1
10-PZ12B2A040ME01-M330L63Y	Booster	flow BOOST 0 SiC	1200	50	SiC MOSFET	flow 0
10-PZ12B2A040MR01-M330L68Y	Booster	flow BOOST 0 SiC	1200	50	SiC MOSFET	flow 0
10-FY09S2A065ME-L869L08	Booster	flow BOOST 1 Symmetric SiC	2*900	70	SiC MOSFET	flow 1

## 德国威科电子有限公司上海代表处

中国上海浦东新区张杨路838号华都大厦12楼J室

电话: +86 21 689 118 53 / 传真: +86 21 689 118 53 - 610 / 邮编: 200120

## Vincotech Shanghai Rep. Office

Room J, 12F / Huadu Tower / No.838 Zhangyang Road / Pudong district  
Shanghai / China / 200120

T +86 21 689 118 53 / F +86 21 689 118 53 - 610

[www.vincotech.com](http://www.vincotech.com)