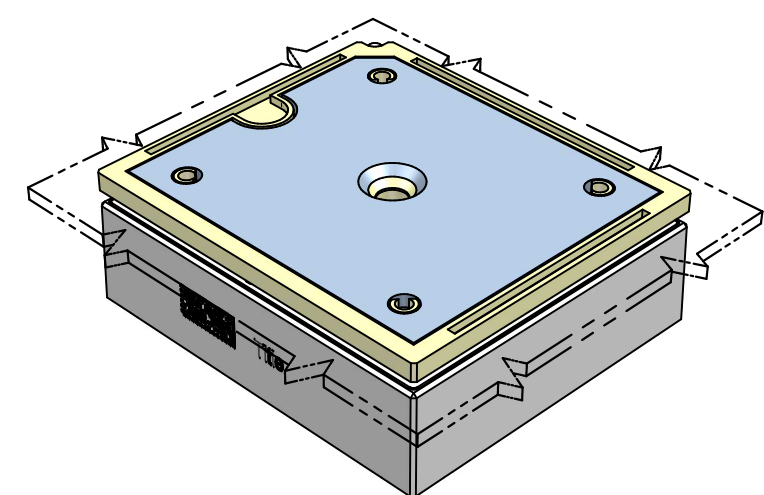
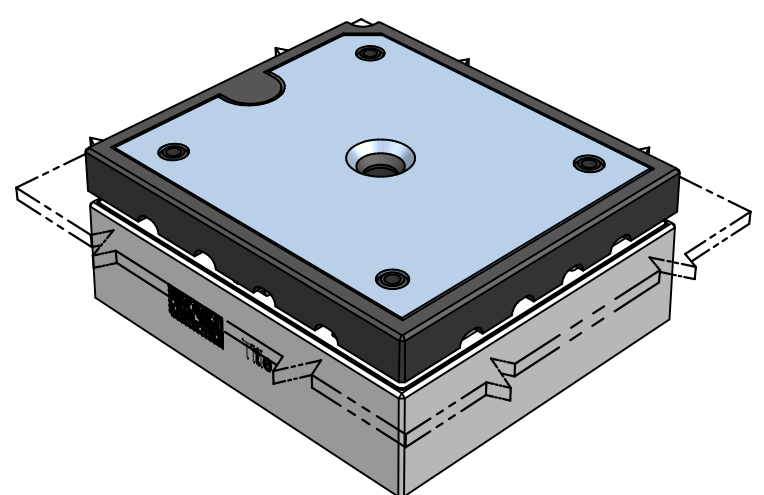
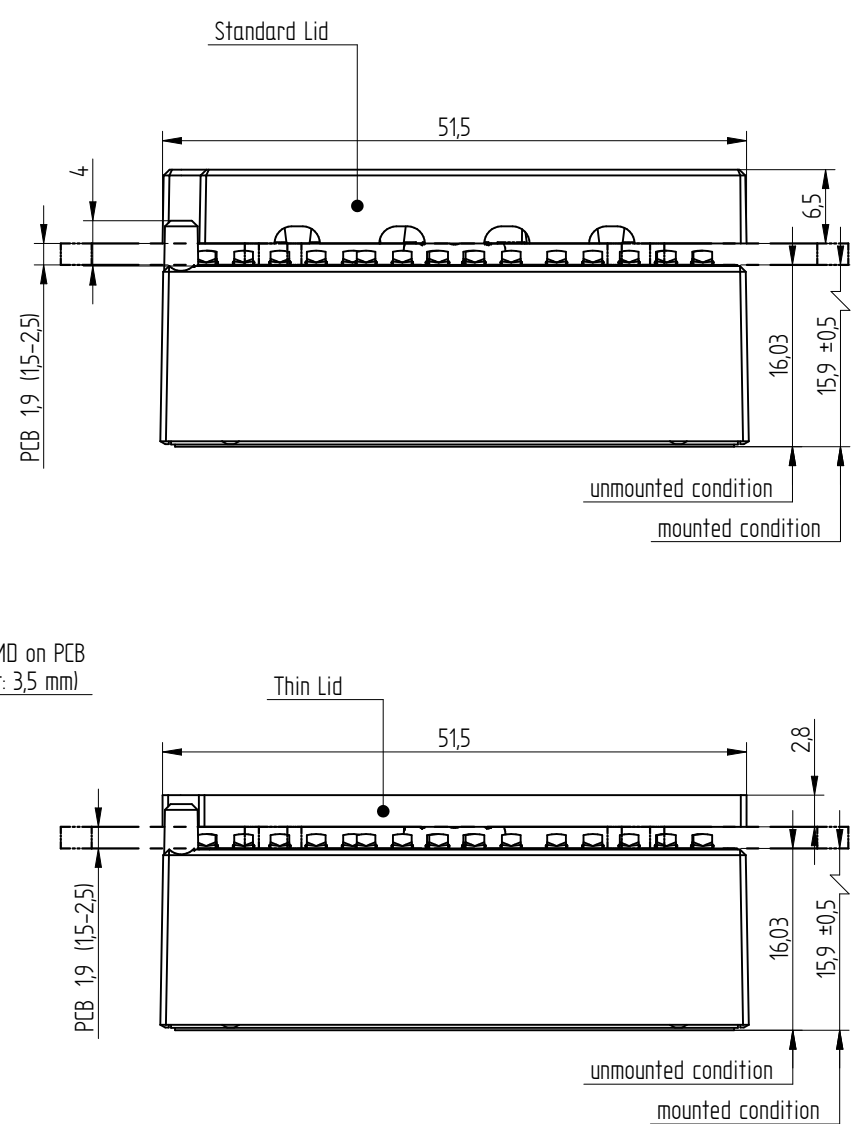
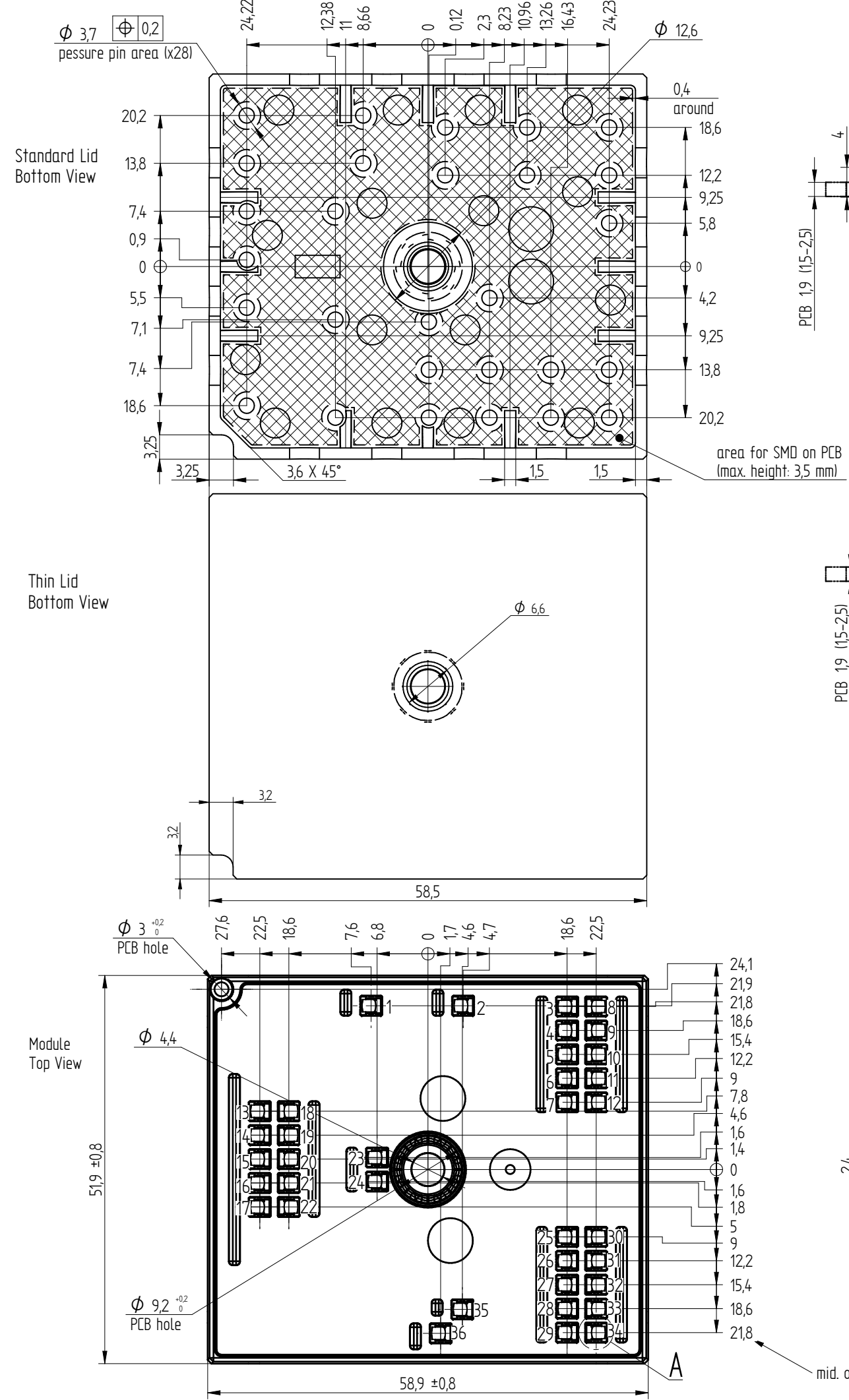
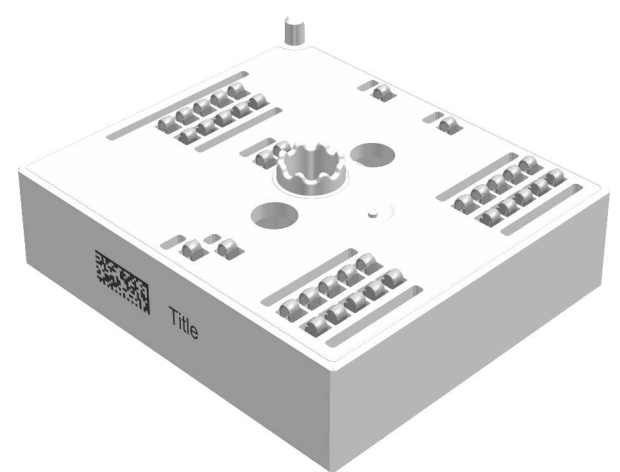
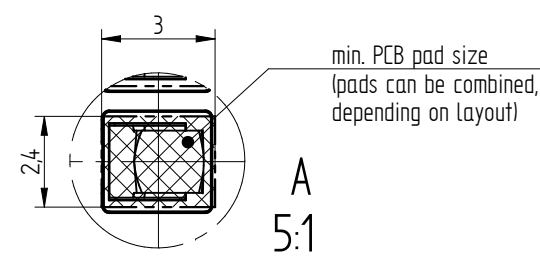


Proprietary data, company confidential. All rights reserved.



Tolerance of coordinate dimensions: ±0,1mm  
 PCB specification according to the actual handling instruction  
 Actual pinout, see on the module datasheet  
 The press lid is not part of the module, it has to be ordered separately  
 For assembly related dimensions refer to the attached 3D-CAD models



01.1	25.04.2016	Pin numbering alignment with Semikron	Géczy M.	Gyimóthy Zs.	Package drawing	View scale 1,5:1
01	28.08.2015	initial release	Gyimóthy Zs.	Géczy M.		
Rev.	Date	Alteration	Designed	Approved		
General tolerances ISO 2768 - m , K			Ps A3			
Linear dimensions		x < 0,5 ± 0,05	0,5 ≤ x < 6 ± 0,1	6 ≤ x < 30 ± 0,2	30 ≤ x < 120 ± 0,3	120 < x ± 0,5
Chamfers, radii		x < 0,3 ± 0,05	0,3 ≤ x < 0,5 ± 0,1	0,5 ≤ x < 3 ± 0,2	3 ≤ x < 6 ± 0,5	6 < x ± 1
References		Inspectional dim: □	Revision number (Rev.): *		IP Development	Drawing alteration in revision: {}



Skip2D<sup>®</sup>-PD

Page 1/1