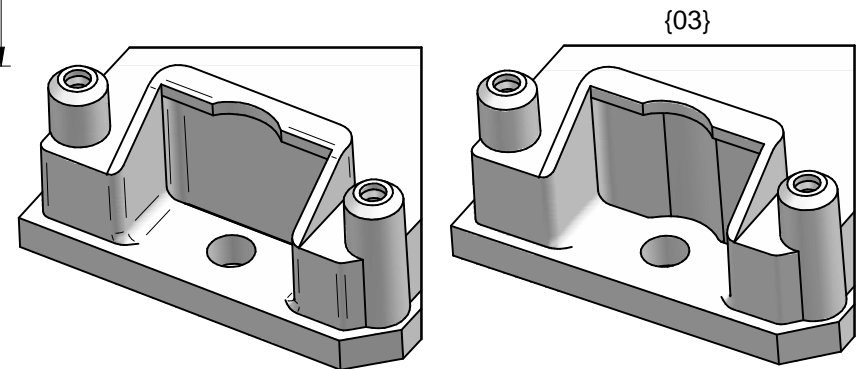


Design variants



03	22.09.2021	Add. design variant	Zs. Gyimothy	T. Pribeli	Package Drawing	View scale 1.5:1
02	03.07.2020	Stepheight, convexity, bridge thickness tolerance	T. Pribeli	Zs. Gyimothy		
01	09.02.2015	Initial release	T. Gyetvai	Zs. Gyimothy		
Rev.	Date	Alteration	Designed	Approved		
General tolerances ISO 2768 - m, K			Ps A4			
Linear dimensions		x < 0.5 ± 0.05	0.5 ≤ x < 6 ± 0.1	6 ≤ x < 30 ± 0.2	30 ≤ x < 120 ± 0.3	120 < x ± 0.5
Chamfers, radii		x < 0.3 ± 0.05	0.3 ≤ x < 0.5 ± 0.1	0.5 ≤ x < 3 ± 0.2	3 ≤ x < 6 ± 0.5	6 < x ± 1
References		Inspectional dim:	Revision number (Rev.): *			Page 1/1
			IP Development		Flow1-4T17-*-PD	Drawing alteration in revision: {}

PCB specification according to the actual handling instruction document
Refer to the module datasheet for actual pinout and 3D-CAD model